

PFXC4512

**COWAN SINGLE HANDLE
PULL-DOWN KITCHEN FAUCET**



Model Numbers

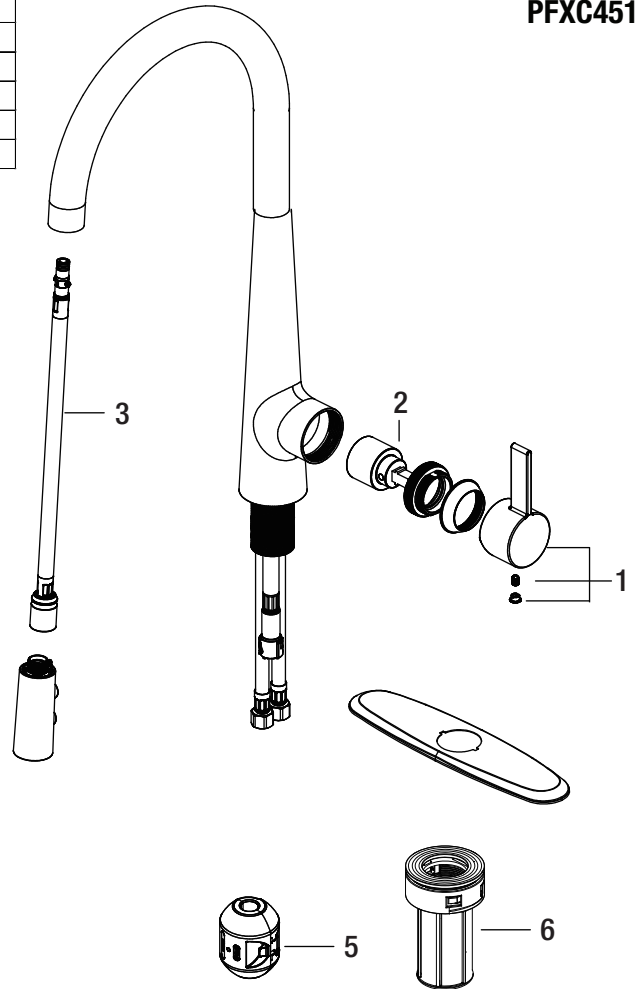
PFXC4512CP	Chrome
PFXC4512ZBN	PVD Brushed nickel
PFXC4512MB	Matte black



PFXC4512CP

No.	Part & Code	Material Type
1	Handle OBPF78405401*	Zinc Alloy
2	Cartridge OBPF23533049	Plastic
3	Pull-down hose OBPF83538011	Nylon+Brass and etc
4	Sprayhead OBPF6370111*	Plastic
5	Weight OBPF18305412	Steel+ABS
6	Quick install nut OBPF120007050073	ABS

* Specify Finish



Warranty and Codes

This product comes complete with installation, operating, care and maintenance instructions. This PROFLO faucet carries a limited lifetime warranty when installed in residential applications. The warranty is five years in commercial applications. This product meets ASME: A112.18.1. *Compliant with lead content requirements of US Senate Bill S.3874*

