

## Specifications

# PFSH309G Showerhead



### Product Features

- Single function showerhead
- Brass and ABS construction
- 1/2" connection
- 1.8 gpm flow rate
- Easy clean nozzles
- cUPC / WaterSense / IAPMO listed

### Function



Full Spray

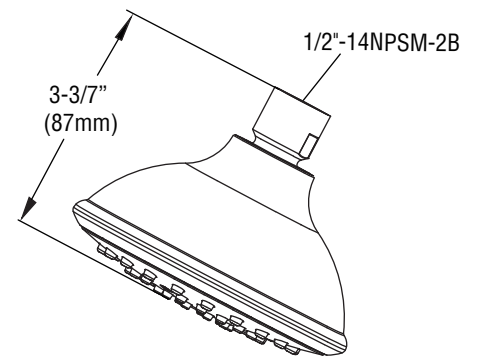
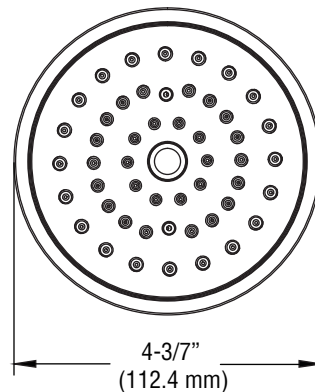


PFSH309GBN

### Model Numbers

PFSH309GCP	Chrome
PFSH309GBN	Brushed Nickel
PFSH309GORB	Oil Rubbed Bronze

### Product Specification



### Warranty and Codes

This product comes complete with installation, operating, care and maintenance instructions. This PROFLO product carries a limited lifetime warranty when installed in residential applications. The warranty is five years in commercial applications. This product meets ANSI: A112.18.1M.

