

Low Lead Lavatory Supply Kits



Product Features

- Low lead brass body
- Low lead brass stem
- cUPC approved
- Certified to NSF 372 requirements
- Flexible chrome plated copper risers with chrome plated steel deep flanges and chrome plated stops
- Operating pressure 125psi maximum
- Operating temperature 40°F-160°F

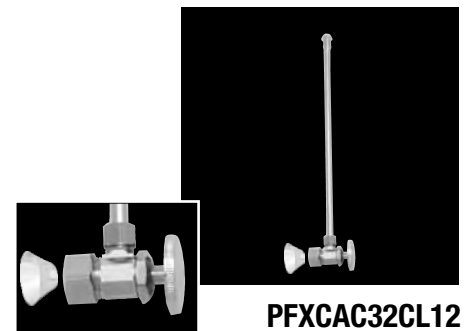
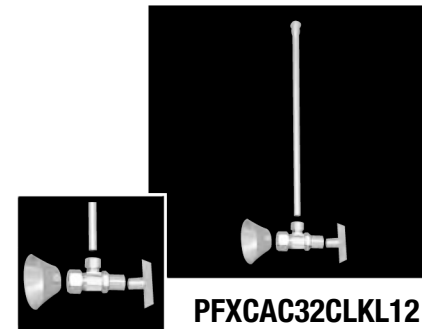
Model Numbers (*For use copper tube only)

Lavatory Supply Kits

PFXCAC32CL12*	LF CP 5/8 comp X 3/8 comp lav kit
PFXCAC32CLKL12*	LF CP 5/8 comp X 3/8 lav sply kit loose key
PFXCAS32CL12*	LF CP 1/2 SWT X 3/8 comp lav sply kit
PFXCAS32CLKL12*	LF CP 1/2 SWT X 3/8 comp lav sply kit loose key
PFXCAZ32CL12	LF CP 1/2 SWT EXT X 3/8 lav sply kit
PFXCAZ32CLKL12	LF CP 1/2 SWT EXT X 3/8 comp lav sply kit loose key
PFXCAT22CL12	LF CP 3/8 IPS X 3/8 comp lav sply kit
PFXCAT22CLKL12	LF CP 3/8 IPS X 3/8 comp lav sply kit loose key
PFXCAT32CL12	LF CP 1/2 IPS X 3/8 comp lav sply kit
PFXCAT32CLKL12	LF CP 1/2 IPS X 3/8 comp lav sply kit loose key

Heavy Duty Lavatory Supply Kits

PFXHAT32CL12	LF CP 1/2 IPS X 3/8 comp lav sply kit
PFXHAT32CLKL12	LF CP 1/2 IPS X 3/8 comp lav sply kit loose key
PFXHAT33CLKL12	LF CP 1/2 IPS X 1/2 comp lav sply kit loose key
PFXHATT22CLKL12	LF CP 3/8 IPS X 3/8 comp lav sply kit loose key



Warranty and Codes

This PROFLO product carries a 1-year limited warranty. ASME A112.18.1-2005/CSA B125.1-05

