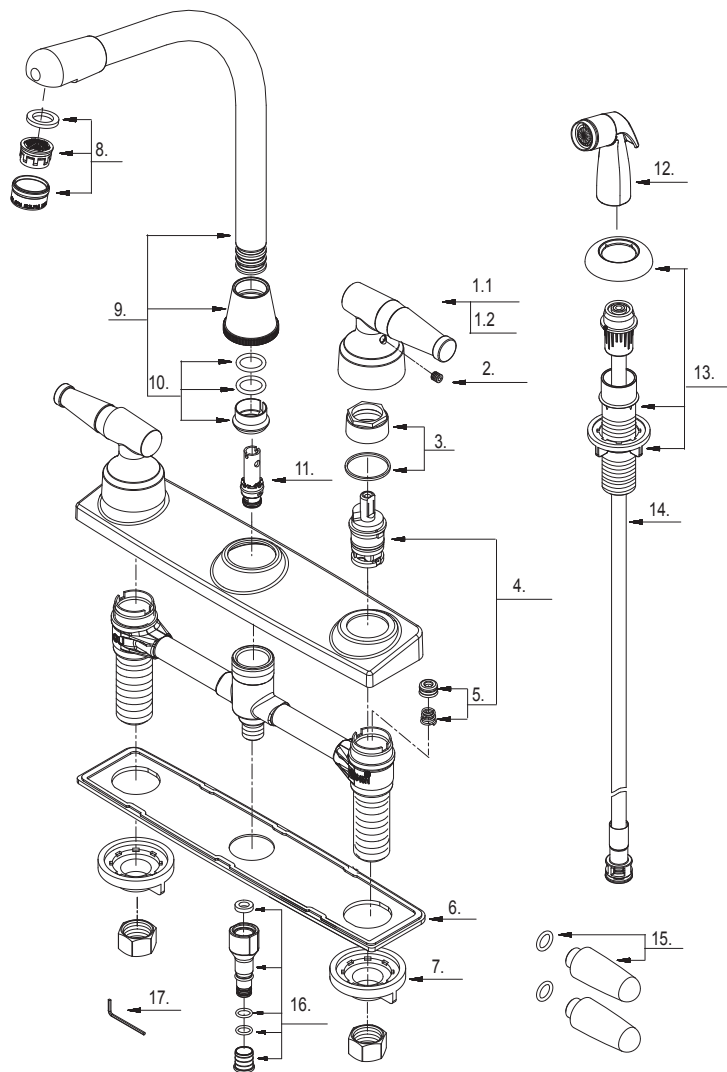
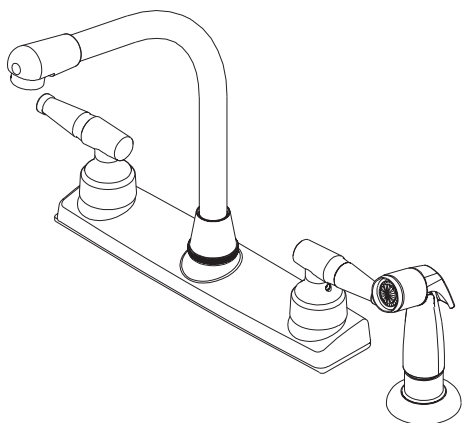


Parts Breakdown

TWO HANDLE KITCHEN FAUCET

PFXCM2M211



Model Numbers

PFXCM2M211

Polished chrome finish

No.	Part Name	Part NO.
1.1	Metal Handle Assembly-Cold	A66E417C
1.2	Metal Handle Assembly-Hot	A66E417H
2	Screw(M5 * 5mm L)	A008003
3	Retainer Nut & Washer	A66D639-C
4	Cartridge Assembly	A66D091N
5	Seat & Spring Set	A663002
6	Putty Plate	A011011GR
7	Lock Nut Set	A504023
8	Aerator	A500196N-64-P
9	Spout Assembly	A666131N-P
10	Spout Seal Kit	A663478N
11	Spray Diverter w/ Vacuum Breaker	A501018N
12	Side Spray	A503001N
13	Spray Holder Assembly (3-15/16" L)	A664255-P
14	Spray Hose	A512139N
15	Porcelain Handle Insert	A662544
16	Sealing kit	A66G352N
17	Hex Wrench (H2.5 * 19 MM L * 53)	A031000NI



Warranty and Codes

This product comes complete with installation, operating, care and maintenance instructions. This PROFLO faucet carries a limited lifetime warranty when installed in residential applications. The warranty is five years in commercial applications. This product meets ANSI: A112.18.1M. Compliant with lead content requirements of California AB 1953.

Distributed Exclusively by Ferguson and Wolseley Canada