

Low Lead Cold Expansion PEX Ball Valves

Product Features

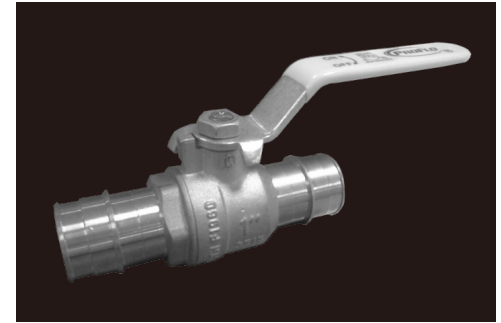
- Full Port 2 piece Ball Valve
- 400 WOG
- Certified to NSF 372 requirements
- cUPC/NSF61 compliant
- PEX end designed to ASTM F-1960
- Not for use at or below ground level
- Operating temperature -4°F-212°F

Model Numbers

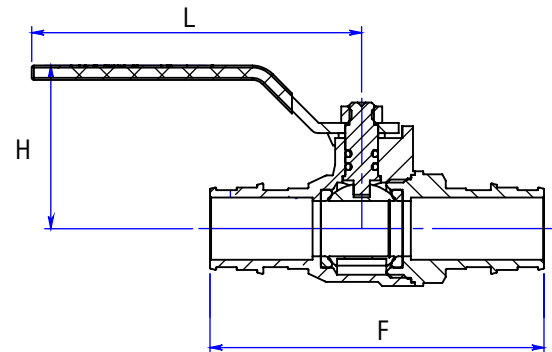
- PFX472D** 1/2" LF PEX F1960 Ball Valve
- PFX472F** 3/4" LF PEX F1960 Ball Valve
- PFX472G** 1" LF PEX F1960 Ball Valve

Product Specifications

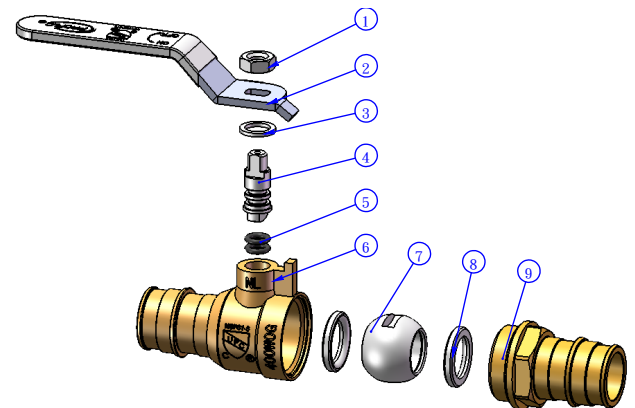
Part No.	Desc	L		H		F	
		in	mm	in	mm	in	mm
PFX472D	1/2" PEX BV	2.952	75	1.496	38	2.598	66
PFX472F	3/4" PEX BV	3.169	80.5	1.574	40	3.208	81.5
PFX472G	1" PEX BV	4.173	106	1.968	50	3.976	101



PFX472G



Item No.	Part Name	Qty	Material
1	Hex Nut	1	Steel
2	Handle	1	Steel
3	Washer	1	PTFE
4	Stem	1	Brass
5	O-ring	2	EPDM
6	Body	1	Brass
7	Ball	1	Brass
8	Seats	2	PTFE
9	End Adapter	1	Brass



Warranty and Codes

This PROFLO product carries a 1-year limited warranty.

