

PFWSCM2M102 KINROSS TWO HANDLE LAVATORY FAUCET



Model Numbers

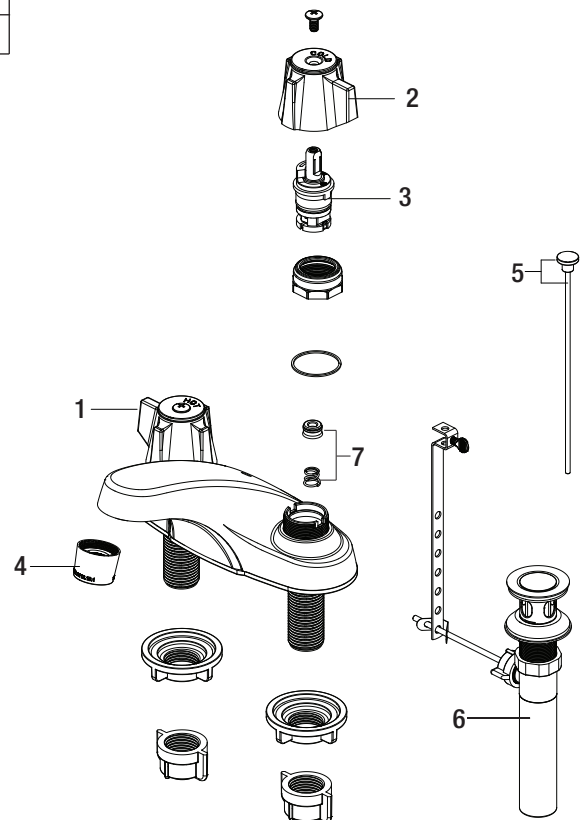
PFWSCM2M102 Chrome
MPID#:7286079

No.	Item	Part Number	Material Type
1	Handle	OBPF713116*	Zinc alloy
2	Handle	OBPF713117*	Zinc alloy
3	Cartridge	OBPF222010	Pom
4	Aerator	OBPF530190*	Abs
5	Lift rod & Lift Rod knob	OBPF940051*	Abs
6	Pop-up Assembly Less Lift Rod	OBPF9F40006*	Plastic
7	Seat & Spring	OBPF222008	Steel

*indicate finish



PFWSCM2M102



Warranty and Codes

This product comes complete with installation, operating, care and maintenance instructions. This PROFLO faucet carries a limited lifetime warranty when installed in residential applications. The warranty is five years in commercial applications. Certified to ASME A112.18.1. *Compliant with lead content requirements of California AB1953

