



PFWSCM2M101

KINROSS TWO HANDLE LAVATORY FAUCET

Product Features

- Max. flow rate: 1.2 gpm at 60 psi
- Washerless cartridge
- Neoperl aerator
- Zinc deck plate
- Metal handle
- WaterSense certified
- cUPC/IAPMO listed
- NSF/ANSI/CAN 61: Q ≤ 1
- Certified to ASME A112.18.1 / CSA B125.1

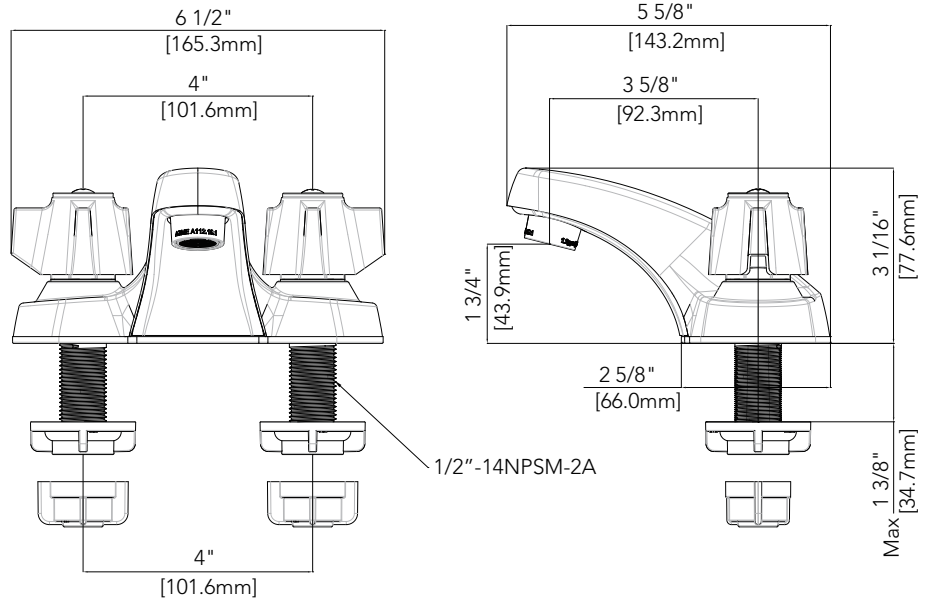


PFWSCM2M101

Model Numbers

PFWSCM2M101 Chrome
MPID#:7286069

Product Specifications



Warranty and Codes

This product comes complete with installation, operating, care and maintenance instructions. This PROFLO faucet carries a limited lifetime warranty when installed in residential applications. The warranty is five years in commercial applications.

*Compliant with lead content requirements of California AB 1953.

