

# PFWSCM2A100 KEMBLE TWO HANDLE LAVATORY FAUCET



**Model Numbers**

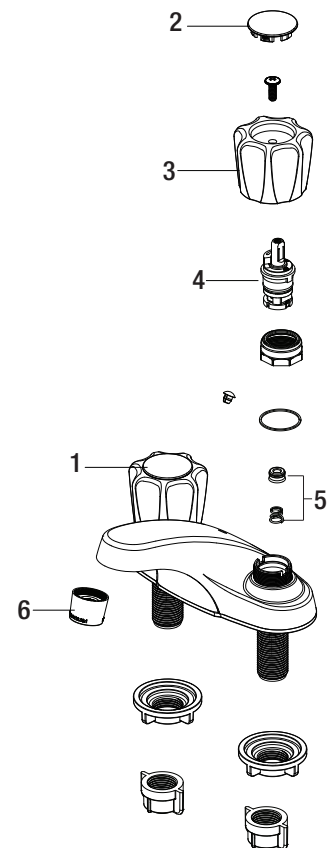
PFWSCM2A100      Chrome  
MPID#:7286089

No.	Item	Part Number	Material Type
1	Index H	OBPF710028	Plastic
2	Index C	OBPF710029	Plastic
3	Handle	OBPF713305	Plastic
4	Cartridge	OBPF222010	Pom
5	Seat & Spring	OBPF222008	Steel
6	Aerator	OBPF530190*	Abs

\*indicate finish



PFWSCM2A100



**Warranty and Codes**

This product comes complete with installation, operating, care and maintenance instructions. This PROFLO faucet carries a limited lifetime warranty when installed in residential applications. The warranty is five years in commercial applications. Certified to ASME A112.18.1. \*Compliant with lead content requirements of California AB1953

