

# GUSTIN

## PFWSCM1M113 7266441 / 7266439

### Single Handle Lavatory Faucet



**Model Numbers**

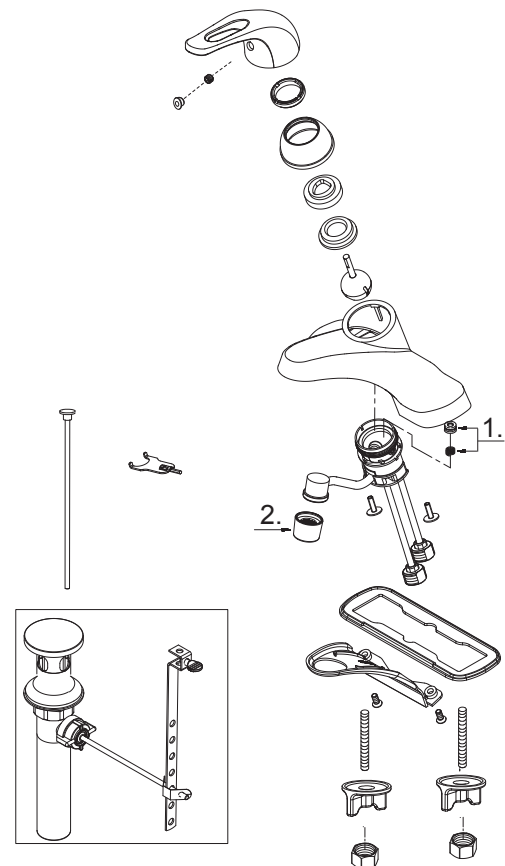
PFWSCM1M113 Chrome  
 PFWSCM1M113BN Brushed nickel

| No. | Item              | Part Number    | Material Type   |
|-----|-------------------|----------------|-----------------|
| 1   | Seat & Spring Set | OBPF2A663002   | Metal, Rubber   |
| 2   | Aerator           | OBPF5A500267N* | Plastic, Rubber |

\*specify finish



PFWSCM1M113



**Warranty and Codes**

This product comes complete with installation, operating, care and maintenance instructions. This PROFLO faucet carries a limited lifetime warranty when installed in residential applications. The warranty is five years in commercial applications. Compliant with lead content requirements of California AB 1953 and Vermont S.152.

