

# PFWSC1040A

## TWO HANDLE LAVATORY FAUCET



### Product Features

- Flow rate: 1.2 GPM (4.54 L/min) at 60 PSI
- Acrylic handle
- Ceramic disc cartridges
- ABS pop-up drain
- Requires 3-hole sink with 4" on-center

### Optional Parts

1.0 GPM Aerator	Neoperl 40.2058.000
0.5 GPM Aerator	OBPF530223CP
Thick Deck Extension Kit	OBPF1A66D619N
DrainLift Rod Extension	PF351NA

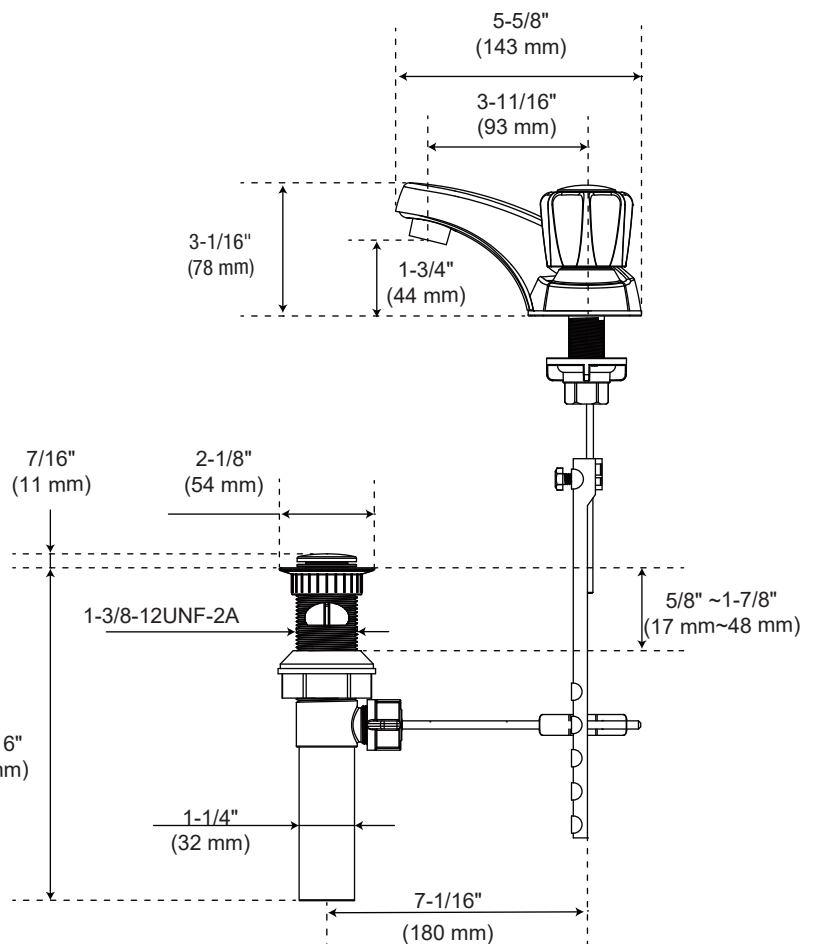
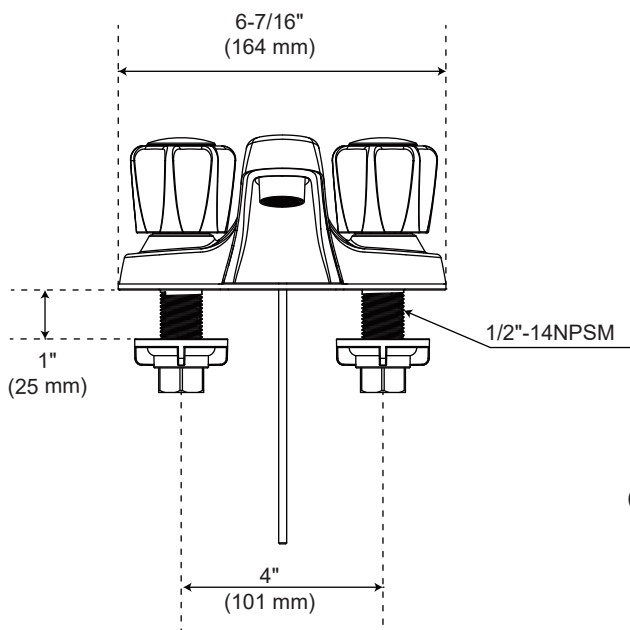


### Codes and Certifications



- Certified to ASME A112.18.1 / CSA B125.1
- cUPC/IAPMO listed
- EPA WaterSense certified
- NSF/ANSI/CAN61: Q ≤1

**PFWSC1040A**



For detailed warranty information, visit [ferguson.com/proflo-faucet-warranty](http://ferguson.com/proflo-faucet-warranty).