

Specifications

PFSK43 Series

SHOWER ARM



Product Features

- Brass construction
- 1/2" (12.7mm) diameter NPT on both ends
- "S" style with 6" riser
- Includes 1/2" (12.7mm) IPS sure grip flange
- Meets ASME A112.18.1
- cUPC/IAPMO listed

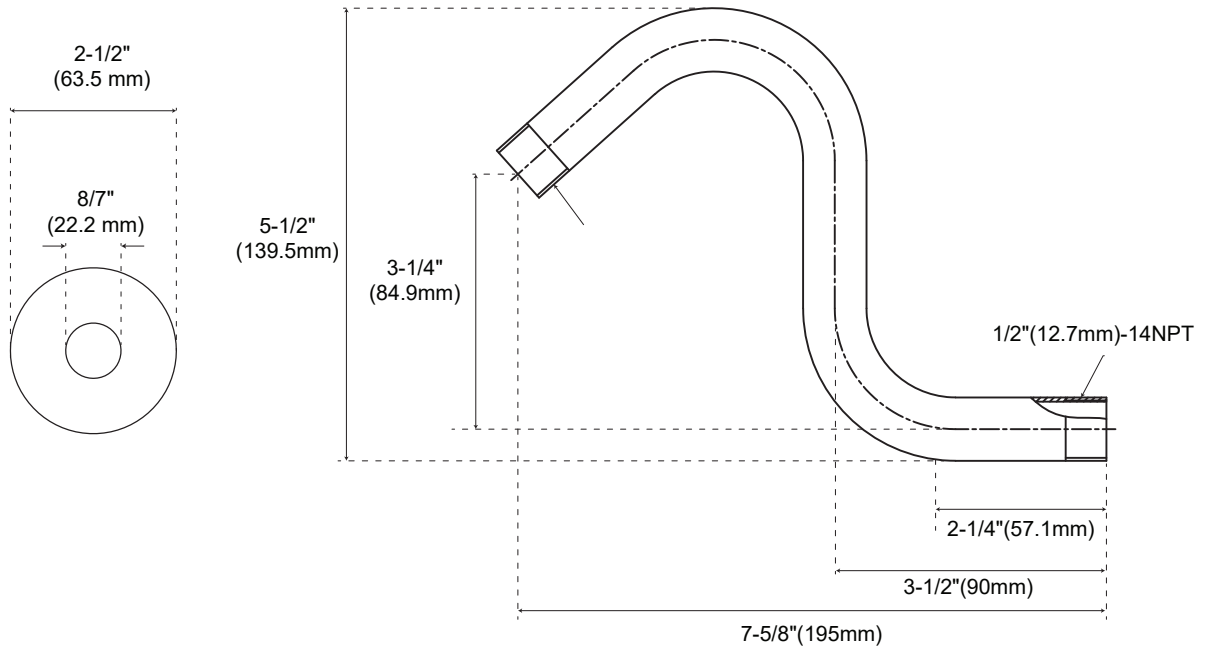
Model Numbers:

- PFSK43CP Chrome
- PFSK43ZBN PVD brushed nickel
- PFSK43ORB Oil rubbed bronze



PFSK43CP

Product Specifications



* All measurements are nominal. Please verify before actual installation.

Warranty and Codes

This product comes complete with installation, operating, care and maintenance instructions. This PROFLO product carries a 1-year limited warranty. This product meets ASME: A112.18.1.

