

Specifications

PFCF, Reducing/Offset CAST IRON CLOSET FLANGES



Product Features

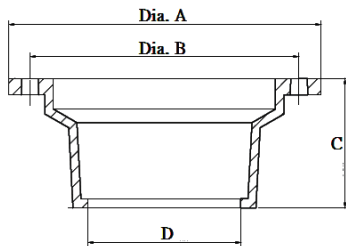
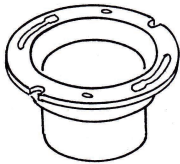
- Cast iron construction
- Certified to IAPMO cUPC
- Inside Caulk style
- Notched and/or slotted



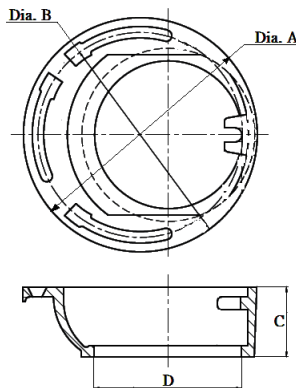
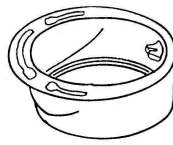
PFCFCRPMM

Model Number	Description	Dia. A	Dia. B	Dim. C	Soil Pipe Size, D
PFCFCRPMM	Cast Iron Closet Flange, Inside Caulk, Reducing, 4" Inlet X 3" Outlet X 3" Depth	7-1/4"	6-1/4"	3"	3"
PFCFCOPKJ	Cast Iron Closet Flange, Inside Caulk, Four Way, 3/4" Offset, 4" x 2"	7-1/4"	6-1/4"	2"	4"
PFCFCOPPK	Cast Iron Closet Flange, Inside Caulk, Offset, 4" X 4" X 2"	7-1/4"	6-1/4"	4"	4"

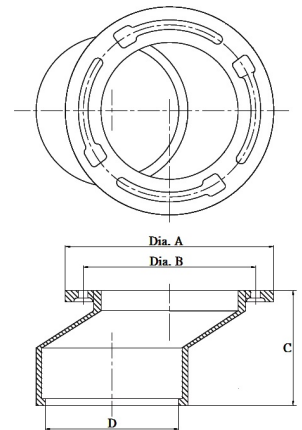
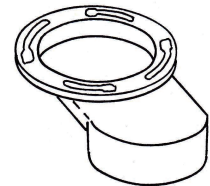
PFCFCRPMM



PFCFCOPKJ



PFCFCOPPK



Warranty and Codes

These PROFLO products carry a 1-year limited warranty.

