

PF8800 ORRS SHOWER HANDLE TRIM KIT



Model Numbers

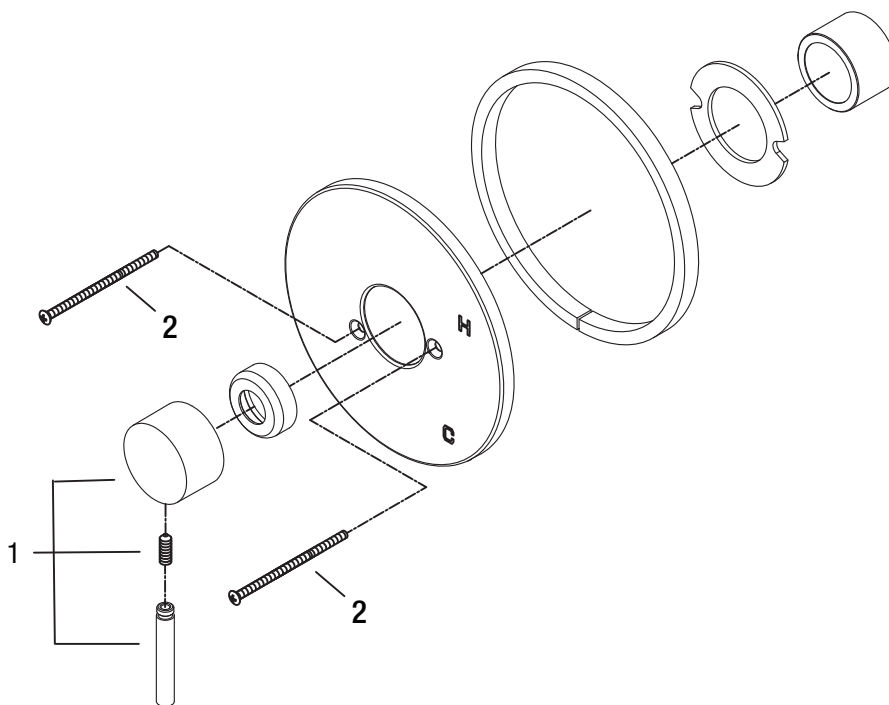
PF8800CP
PF8800BN
PF8800MB



PF8800CP

NO.	ITEM	PART NUMBER	MATERIAL TYPE
1	Metal handle	OBPF7654076*	Zinc
2	Escutcheon screw (set of 2)	OBPF1654271*	S/S

* Specify Finish



Warranty and Codes

This product comes complete with installation, operating, care and maintenance instructions. This PROFLO faucet carries a limited lifetime warranty when installed in residential applications. The warranty is five years in commercial applications. This product meets ASME: A112.18.1. Compliant with lead content requirements of US Senate Bill S.3874

