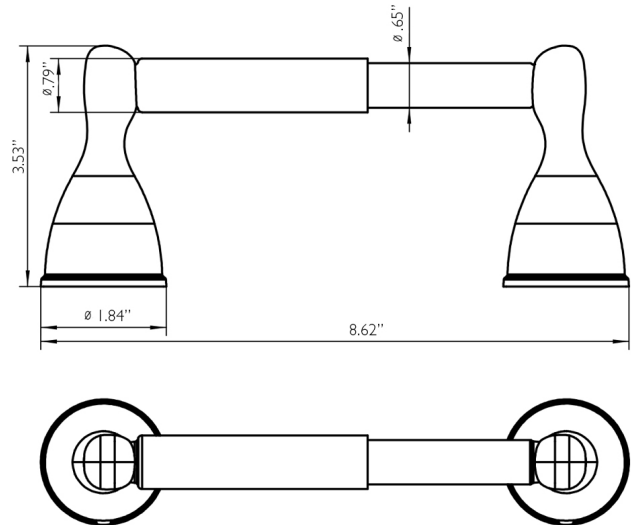


Colliston Toilet Paper Holder Brushed Nickel



SPECIFICATIONS

MATERIAL CONSTRUCTION:	Steel/Zinc
PVD FINISH:	No
ASSEMBLY REQUIRED:	Yes
TOOLS NEEDED FOR INSTALLATION:	Screwdriver
ASSEMBLED DIMENSIONS:	3.54" H x 8.03" L x 1.85" D
ASSEMBLED WEIGHT:	0.11 lbs.
MIN. LENGTH:	N/A
MAX LENGTH:	N/A
SCREWS INCLUDED:	Yes
DRYWALL ANCHORS INCLUDED:	Yes
CENTER TO CENTER:	N/A

WARRANTY:	This PROFLO accessory carries a limited lifetime warranty when installed in residential applications. The warranty is five years in commercial applications.
LEGAL FOR SALE IN CALIFORNIA:	Yes
ADA COMPLIANT:	N/A

TYPE:
JOB:
ORDER CODE:
APPROVALS: