

## Specifications

### PFGAPCVR series

## Air Gap Cover



#### Product Features:

- Air gap cover only
- Material: plastic construction for durability and reliability
- Fits most plastic air gap assemblies

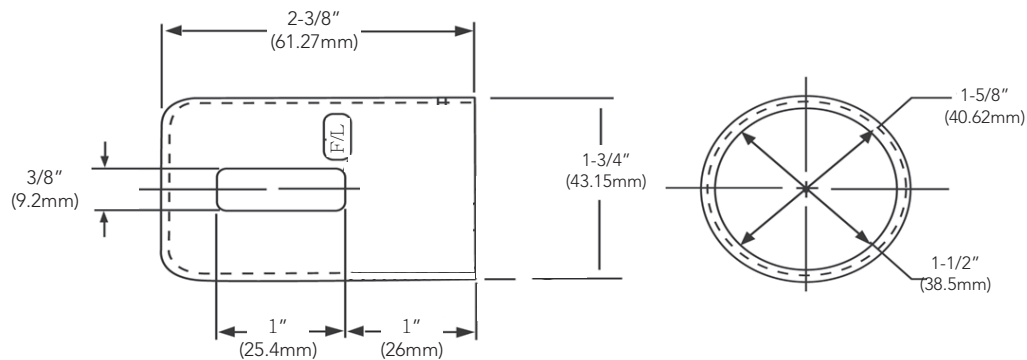
#### Model Numbers:

PFGAPCVRCP Chrome  
PFGAPCVRBN Brushed nickel



PFGAPCVRCP

#### Product Specifications:



\* All measurements are nominal. Please verify before actual installation.

#### Warranty and Codes

This PROFLO product carries a 1-year limited warranty