

PF7611G SINGLE HANDLE TUB AND SHOWER TRIM KIT



Model Numbers

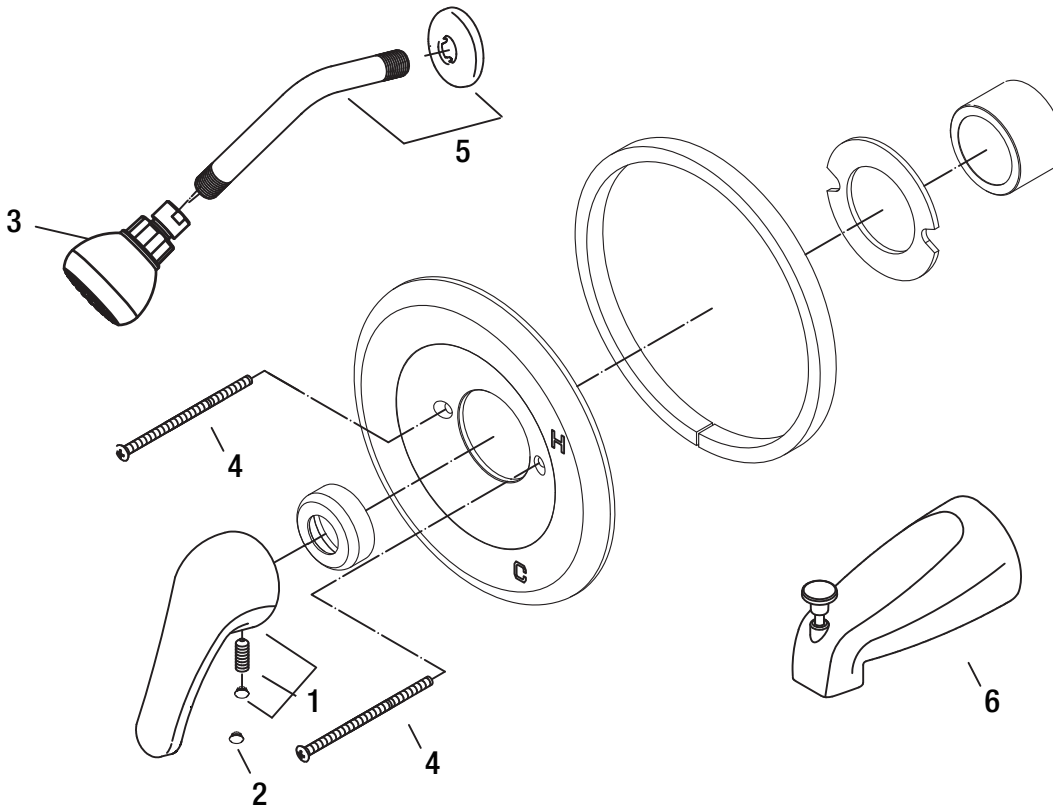
PF7611GCP
PF7611GBN



PF7611GCP

NO.	ITEM	PART NUMBER	MATERIAL TYPE
1	Metal handle	OBPF7654075*	Zinc
2	Red/Blue cap	OBPF3655400	ABS
3	Showerhead	OBPF6654007*	ABS+Brass
4	Escutcheon screw (set of 2)	OBPF1654271*	S/S
5	Shower arm with flange	PFSK46*	S/S
6	Spout	PF1096*	Zinc

* Specify Finish



Warranty and Codes

This product comes complete with installation, operating, care and maintenance instructions. This PROFLO faucet carries a limited lifetime warranty when installed in residential applications. The warranty is five years in commercial applications. This product meets ASME: A112.18.1. Compliant with lead content requirements of US Senate Bill S.3874

