



# PF8830G ORRS SINGLE HANDLE TUB AND SHOWER TRIM KIT

## Model Numbers

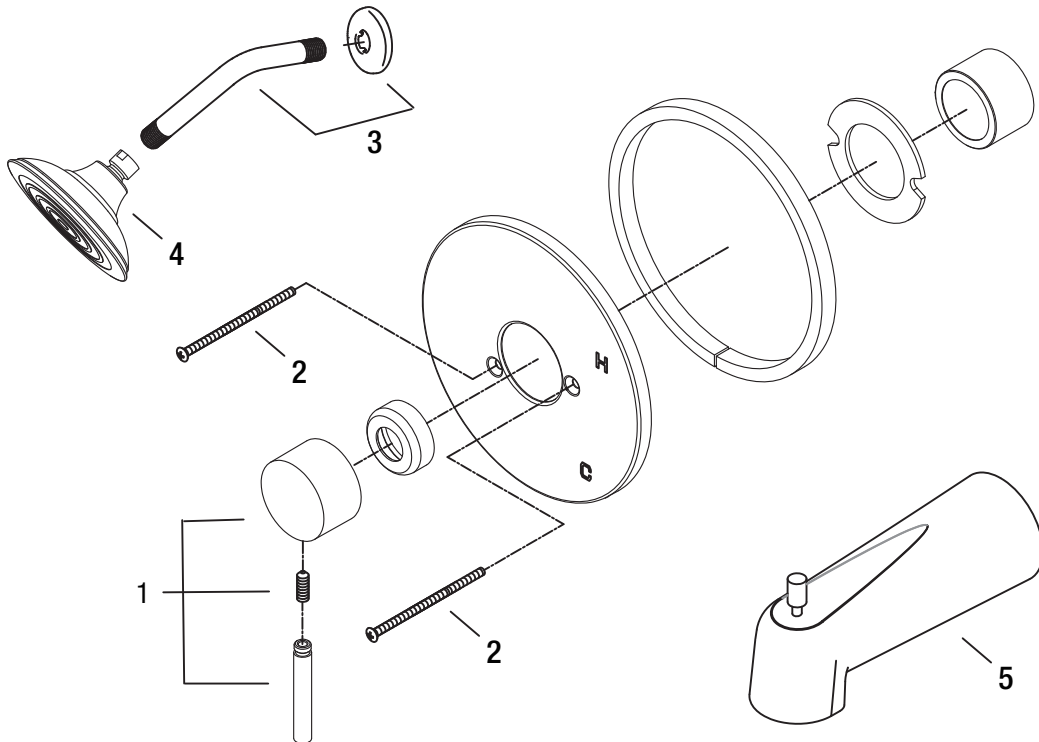
PF8830GCP  
PF8830GBN  
PF8830GMB

NO.	ITEM	PART NUMBER	MATERIAL TYPE
1	Metal handle	OBPF7654076*	Zinc
2	Escutcheon screw ( set of 2 )	OBPF1654271*	S/S
3	Shower arm with flange	PFSK46*	S/S
4	Showerhead	PFSH308G*	ABS+Brass
5	Spout	PFTS36*	Zinc



PF8830G

\* Specify Finish



## Warranty and Codes

This product comes complete with installation, operating, care and maintenance instructions. This PROFLO faucet carries a limited lifetime warranty when installed in residential applications. The warranty is five years in commercial applications. This product meets ASME: A112.18.1. Compliant with lead content requirements of US Senate Bill S.3874

