

# Specifications

## PFSAVB01

# Vacuum Breaker



### Product Features

- In line vacuum breaker
- Brass construction with ABS connector
- 1/2" connections
- Prevents backflow in hand shower systems
- Meets ASSE 1014
- UPC/IAMPO listed

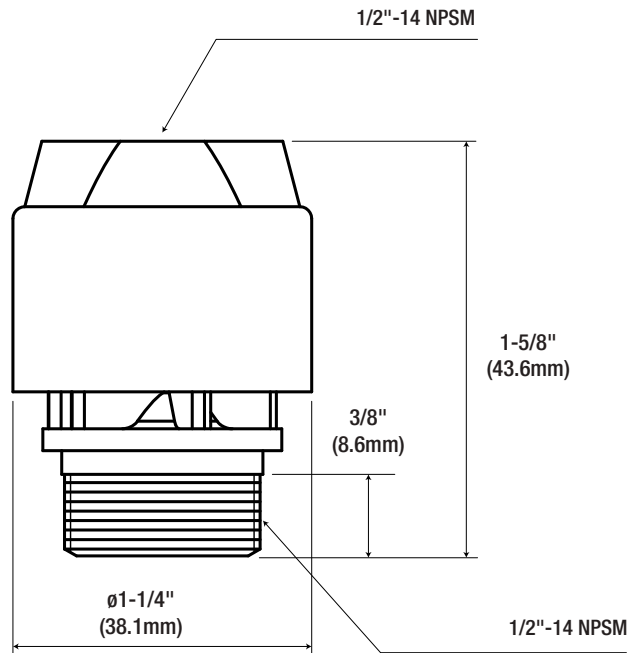
### Model Numbers:

<b>PFSAVB01CP</b>	Chrome
<b>PFSAVB01BN</b>	Brushed nickel
<b>PFSAVB01ORB</b>	Oil rubbed bronze
<b>PFSAVB01PN</b>	Polished nickel



**PFSAVB01CP**

### Product Specifications



\* All measurements are nominal. Please verify before actual installation.

### Warranty and Codes

This PROFLO product carries a limited lifetime warranty in residential applications. Warranty is 1 year in commercial applications. This product comes complete with installation, operating, care and maintenance instructions. This product meets ASSE 1014

