

PF9400 Series

High-Efficiency Toilet Vitreous China - 1.28gpf



Product Features

- Two-piece vitreous china
- 1.28 gpf HET, High Efficiency Toilet
- High Performance 3" Flush Valve
- 2" glazed trapway
- Gravity fed, double jetted box rim
- EPA WaterSense Certified
- Meets and ASME A112.19.2M
- 1,000g MaP
- Bowls meets CSA B651 & ADA
- 8-1/2" x 7" water surface
- Available in round, elongated and ADA
- Close coupled tank with cover
- Seat and supply not included
- Uses 20% less water than standard low consumption toilets
- Anti-siphon fill valve available
- Chrome tank lever standard



PF9401/PF9412

Model Numbers

PF9400WH	1.28 gpf round front bowl white
PF9401WH*	1.28 gpf elongated bowl white
PF9403WH*	1.28 gpf ADA bowl white
PF9412WHC	1.28 gpf HET tank white w/chrome trip lever
PF9412RWH	1.28 gpf RH tank white
PF9410WH	1.28 gpf tank for 10" rough white
PF9414WH	1.28 gpf tank for 14" rough white
PF9412UWH	1.28 gpf lined tank white
PF9412LWH	1.28 gpf tank with locking lid white

* Indicates bowl meets ADA height requirements

Available Parts

PF9412FLPK	Fill valve assembly
PF9412FRPK	3" Replacement flapper
PF9412FVPK	3" Flush valve assembly
PF9412TGPK	Tank gasket w/bolts
PF9412LIDWH	12" Tank lid white
PF9412TLPK	Replacement chrome trip lever
PF9412TLRCP	Replacement RH chrome trip lever
PF9410LIDWH	10" tank lid white

Optional Accessories

MB422BN	FLUSH LEV F/ 9400 HET CLST BN
MB422ORB	FLUSH LEV F/ 9400 HET CLST ORB

Warranty and Codes

This product comes complete with installation, operating, care and maintenance instructions. All PROFLO fixtures carry a 1-year limited warranty. In an effort to continually improve our products, we will make design changes from time to time. We reserve the right to ship newly designed product to fill any order unless we agree



PF9400 Series

High-Efficiency Toilet Vitreous China - 1.28gpf



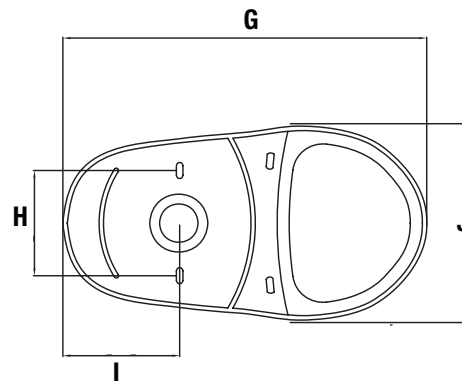
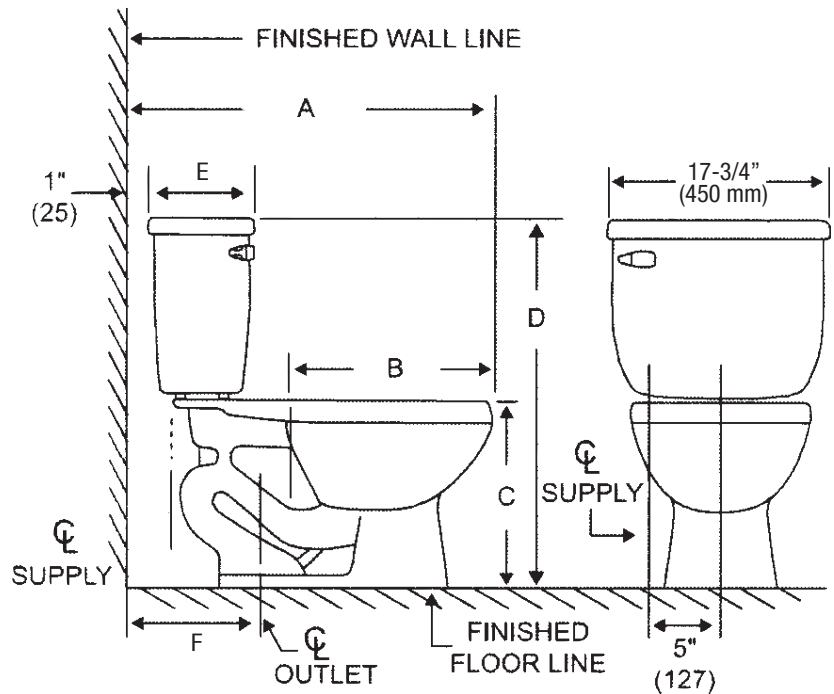
Certifications

Meets strict flushing performance guidelines established by the EPA (Environmental Protection Agency) WaterSense program. Leadership in Energy and Environmental Design (LEED) Compliant. Los Angeles Department of Water and Power (LADWP) Compliant.

	PF9412/ PF9400	PF9412/ PF9401	PF9412/ PF9403
A	28"	29-1/2"	29-1/2"
B	16-1/2"	18-1/2"	18-1/2"
C	16-1/8"	16-1/8"	17"
D	30-1/8"	30-1/8"	31"
E	8-3/8"	8-3/8"	8-3/8"
F	12"	12"	12"

	PF9410/ PF9400	PF9410/ PF9401	PF9410/ PF9403
A	26-3/8"	28"	28"
E	6-3/4"	6-3/4"	6-3/4"
F	10"	10"	10"

	PF9414/ PF9400	PF9414/ PF9401	PF9414/ PF9403
A	29-1/2"	31-1/2"	31-1/2"
E	10"	10"	10"
F	14"	14"	14"



Footprint

	RF	EL	ADA
	PF9400	PF9401	PF9403
G	19-1/2"	18-3/16"	19-1/2"
H	5-13/16"	5-13/16"	5-15/16"
I	5-15/16"	5-1/2"	6"
J	9-5/8"	9-1/2"	10"

Note: All dimensions and specifications are nominal and may vary. Dimensions of 8" and greater have a tolerances of +3%. Dimensions less than 8" have a tolerances of +5%.



Distributed Exclusively by Ferguson and Wolseley Canada