

PF1400T Series

High-Efficiency Two Piece Toilet



Product Features

- Gravity fed 1.28gpf HET, High Efficiency Toilet
- Two piece vitreous china
- 2" fully glazed trapway
- 8" x 9" water surface
- Anti-siphon fill valve
- Jetted box rim
- Close coupled tank with cover
- Quick connect, 2 bolt tank to bowl installation
- Comes standard with a color matching trip lever
- 2" Flush valve
- Sanitary bar on all bowls
- Seat and supply not included
- Available in 10", 12", 14" RI
- Available with RH trip level
- Available with insulated tank
- Available round front, elongated, and ADA
- Uses 20% less water than standard low consumption toilets
- EPA WaterSense Certified

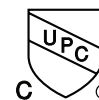


PF1403TWH/PF5112HEWH

Codes and Standards

- ADA PF1403T
- IAPMO/UPC
- ASME A112.19.2
- CSA B45.0
- CSA B45.1

Model	Description	Color Finishes	
PF1400T	1.1-1.6 12 RI RF UNIV BOWL	○ White	○ Biscuit
PF1401T	1.1-1.6 12 RI EL UNIV BOWL	○ White	○ Biscuit
PF1403T	1.1-1.6 12 RI ADA UNIV BOWL	○ White	○ Biscuit
PF5112HE	HET Tank only 12" RI for 1400 series	○ White	○ Biscuit
PF5110HE	HET Tank only 10" RI for 1400 series	○ White	○ Biscuit
PF5114HEWH	HET Tank only 14" RI for 1400 series	○ White	
PF5112RHEWH	HET RH Tank only 12" RI for 1400 series	○ White	
PF5112UHEWH	HET Lined Tank only 12" RI for 1400 series	○ White	



PF1400T Series

High-Efficiency Two Piece Toilet



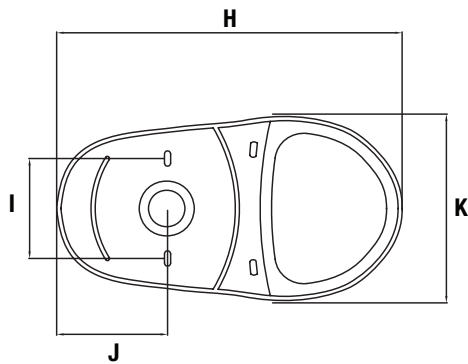
Product Features

The combination toilet shall be made of vitreous china. Toilet shall be 1.28 gpf (4.8 lpf). Toilet shall have 2" (5.1cm) fully glazed trapway. Toilet shall include color match trip lever. Toilet shall be less seat and supply. Toilet shall be ADA compliant (PF1403T) with 17" high bowl.

	PF5114HE /1400T	PF5114HE /1401T	PF5114HE /1403T
A	30-1/2"	32-1/8"	32-1/8"
E	9-3/4"	9-3/4"	9-3/4"
F	14"	14"	14"
G	15-3/4"	15-3/4"	15-3/4"

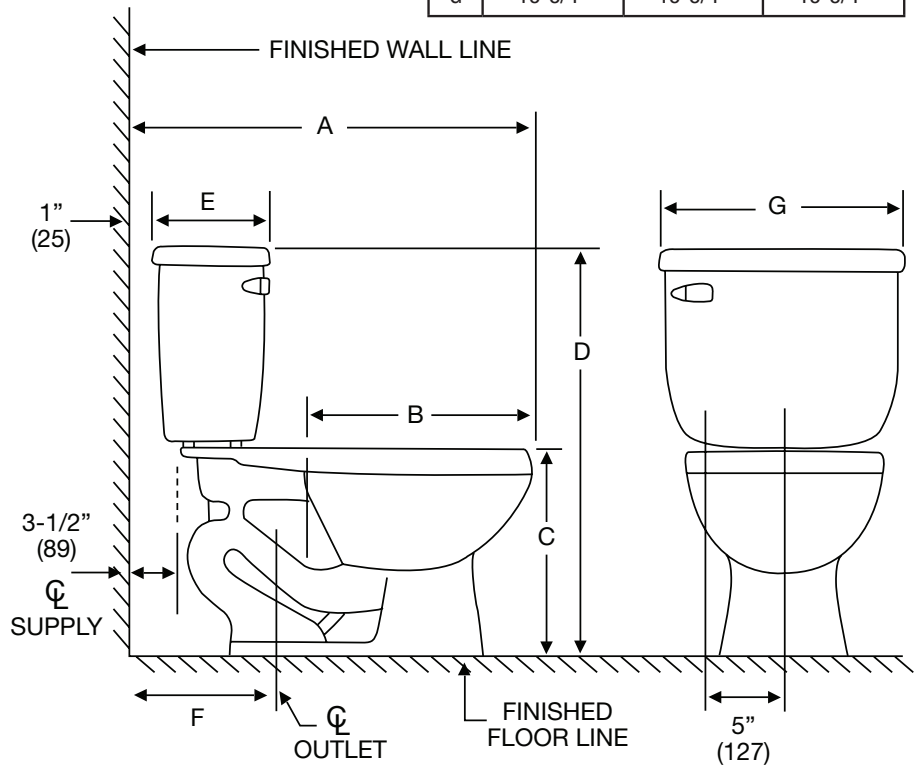
	PF5110HE /1400T	PF5110HE /1401T	PF5110HE /1403T
A	26-1/2"	28-1/8"	28-1/8"
E	6-1/4"	6-1/4"	6-1/4"
F	10"	10"	10"
G	17-1/2"	17-1/2"	17-1/2"

	PF5112HE /1400T	PF5112HE /1401T	PF5112HE /1403T
A	28-1/2"	30-1/8"	31-1/8"
B	16-1/2"	18-1/2"	18-1/2"
C	15"	15"	17"
D	29-3/4"	29-3/4"	31-3/4"
E	8-1/2"	8-1/2"	8-1/2"
F	12"	12"	12"
G	15-3/4"	15-3/4"	15-3/4"



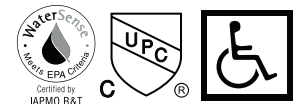
Footprint

	RF	EL	ADA
	PF1400T	PF1401T	PF1403T
H	18-1/2"	18-1/2"	18-1/2"
I	6"	6"	6"
J	6-1/8"	6-1/2"	6-1/2"
K	9"	9"	9"



Warranty and Codes:

This product comes complete with installation, operating, care and maintenance instructions. All PROFLO fixtures carry a 1- year limited warranty. This product meets or exceeds ASME/ANSI A112.19.2M. In an effort to continually improve our products, we will make design changes from time to time. We reserve the right to ship newly designed product to fill any order unless we agree in writing to do otherwise.



Distributed Exclusively by Ferguson and Wolseley Canada