

PFX304

Two Handle Commercial Lavatory Faucet



Product Features

- Heavy duty 4" cast brass lavatory faucet
- ADA wrist blade handles and color indexed caps
- Ceramic cartridges with brass stems
- Polished chrome
- Flow rate: 1.5 GPM aerator
- Complies with ASME:A112.18.1-2011/CSA:B125.1-11
- NSF61 compliant
- Complies with Lead Plumbing Law
- cUPC/IAPMO Listed
- ADA Compliant

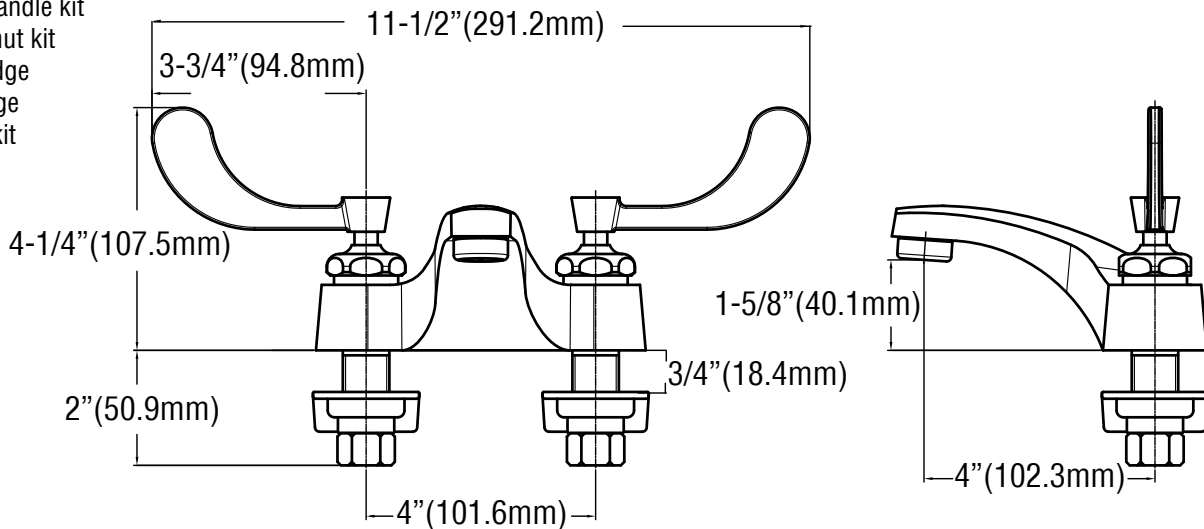


PFX304

Available Parts

- | | |
|-------------------|-----------------------|
| PF654508 | Aerator kit |
| PF654509 | Cold lever handle kit |
| PF654510 | Hot lever handle kit |
| PF654511 | Mounting nut kit |
| PF654512 | Cold cartridge |
| PF654513 | Hot cartridge |
| PFX4LAVEXT | Extension kit |

Product Specifications



Warranty and Codes

This product comes complete with installation, operating, care and maintenance instructions. This PROFLO faucet carries a limited lifetime warranty when installed in residential applications. The warranty is five years in commercial applications. This product meets ASME: A112.18.1-2011 *Compliant with lead content requirements of US Senate Bill S.3874

