

PFWSC6850

Single Handle Lavatory Faucet



Alvord Series

Product Features

- Ceramic disc cartridge
- Metal handle
- With brass pop-up
- Single hole or 4" center installation with optional deck plate (included)
- Brass construction
- Flow rate: 1.2 gpm at 60 psi
- ADA compliant
- Meets ASME:A112.18.1
- cUPC/IAPMO listed
- Watersense certified
- AB1953 certified



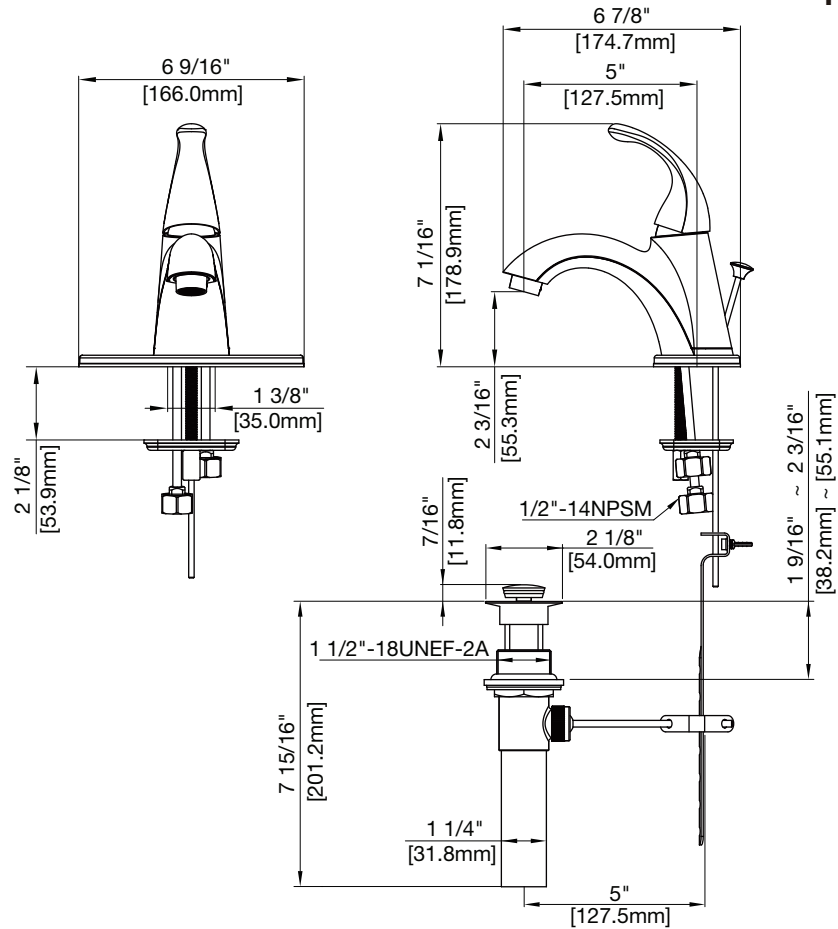
PFWSC6850CP

Model Numbers

PFWSC6850CP chrome
 PFWSC6850BN brushed nickel

Available Parts

- MIR20081 Cartridge
- PFX14322 .5gpm aerator insert only



Warranty and Codes

This product comes complete with installation, operating, care and maintenance instructions. This PROFLO faucet carries a limited lifetime warranty when installed in residential applications. The warranty is five years in commercial applications. This product meets ASME: A112.18.1. *Compliant with lead content requirements of California AB 1953.

