

Specifications

PFWSC5240 Two Handle Lavatory Faucet



Product Features

- Ceramic disc cartridges
- Metal lever handle
- Requires 3-hole sink with 4" on-center
- With metal pop-up
- 100% factory pressure tested
- Max. flow rate: 1.2 gpm (4.5 L/min) at 60 psi
- EPA WaterSense approved
- cUPC/IAPMO listed
- ADA compliant

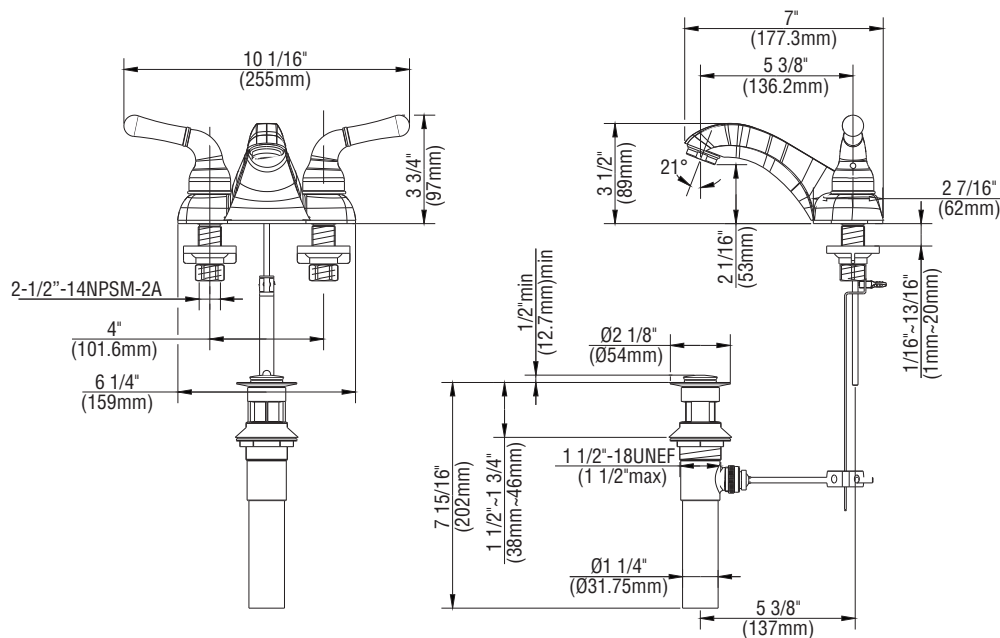


Model Numbers

PFWSC5240CP	Chrome
PFWSC5240ZBN	PVD brushed nickel
PFWSC5240NORB	Oil rubbed bronze

PFWSC5240CP

Product Specifications



*All measurements are nominal. Please verify before actual installation.

Warranty and Codes

This product comes complete with installation, operating, care and maintenance instructions. This PROFLO faucet carries a limited lifetime warranty when installed in residential applications. The warranty is five years in commercial applications. Compliant with lead content requirements of California AB 1953 and Vermont S.152.

