

PFWSC47445

PROFLO[®]

SINGLE HANDLE LAVATORY FAUCET

Product Features

- Ceramic disc cartridge
- Metal handle
- Without pop-up
- With adjustable temperature limit stop
- Requires 3-hole sink with 4" on-center
- Max. flow rate: 0.5 GPM at 60 PSI
- ADA Compliant
- cUPC/IAPMO Listed
- WaterSense Certified

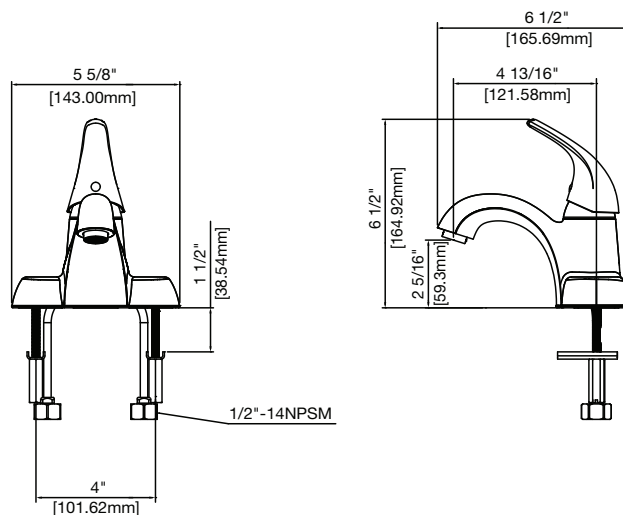


PFWSC47445CP

Model Numbers

PFWSC47445CP chrome

Product Specifications



Available Parts

PF32067417 Cartridge

Warranty and Codes

This product comes complete with installation, operating, care and maintenance instructions. This PROFLO faucet carries a limited lifetime warranty when installed in residential applications. The warranty is five years in commercial applications. This product meets ANSI: A112.18.1M.

*Compliant with lead content requirements of California AB 1953.



Distributed Exclusively by Ferguson and Wolseley Canada