

PFTSEC1000 / PFTSEC2000

Slow Close Toilet Seats with Easy Clean



Product Features

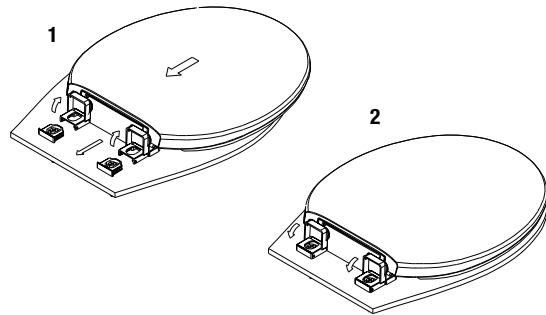
- Heavy weight molded solid plastic
- Closed front with cover
- Molded in color matched bumpers
- Patented dampening hinge system
- New slide-off hinge for easy cleaning
- Corrosion proof nuts and bolts
- Slip resistant pads with variable positioning washers
- Conforms to ANSI Z124.5



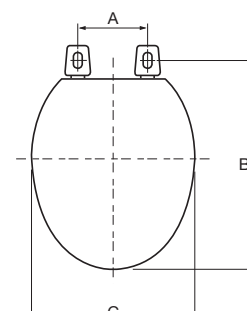
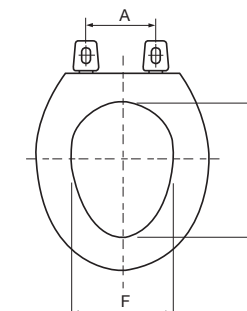
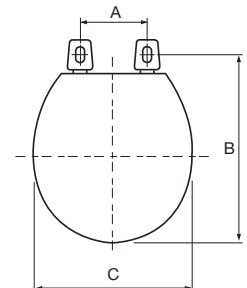
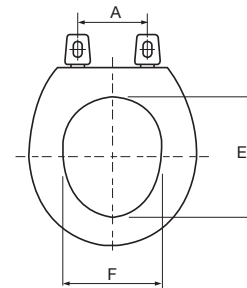
PFTSEC1000



PFTSEC2000



Product Specifications



Color Palette

- White (WH)
- Biscuit (BS)

Model Numbers

- PFTSEC1000 Round front plastic toilet seat with easy clean
- PFTSEC2000 Elongated plastic toilet seat with easy clean

Model Numbers	A	B	C	E	F
PFTSEC1000 Round front	5 1/2"	16 10/16"	14 1/14"	10 6/16"	8 7/16"
PFTSEC2000 Elongated front	5 1/2"	18 1/2"	14"	12"	8 1/4"

Warranty and Codes

PROFLO toilet seats carry a 1-year limited warranty. In an effort to continually improve our products, We will make design changes from time to time. We reserve the right to ship newly designed product to fill any order unless we agree in writing to do otherwise.