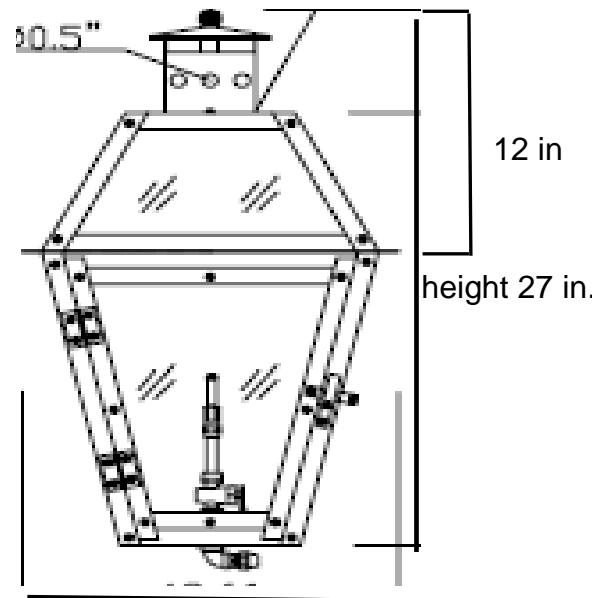


Accessories available
 electric conversion
 5 light cluster
 propane conversion
 wind guard
 all other accessory
 brackets must be
 custom made on a
 per quote basis



Wall Bracket included



Width is 16 in

Extension is 18 in

PL-27 "St. Ann" IN AGED COPPER