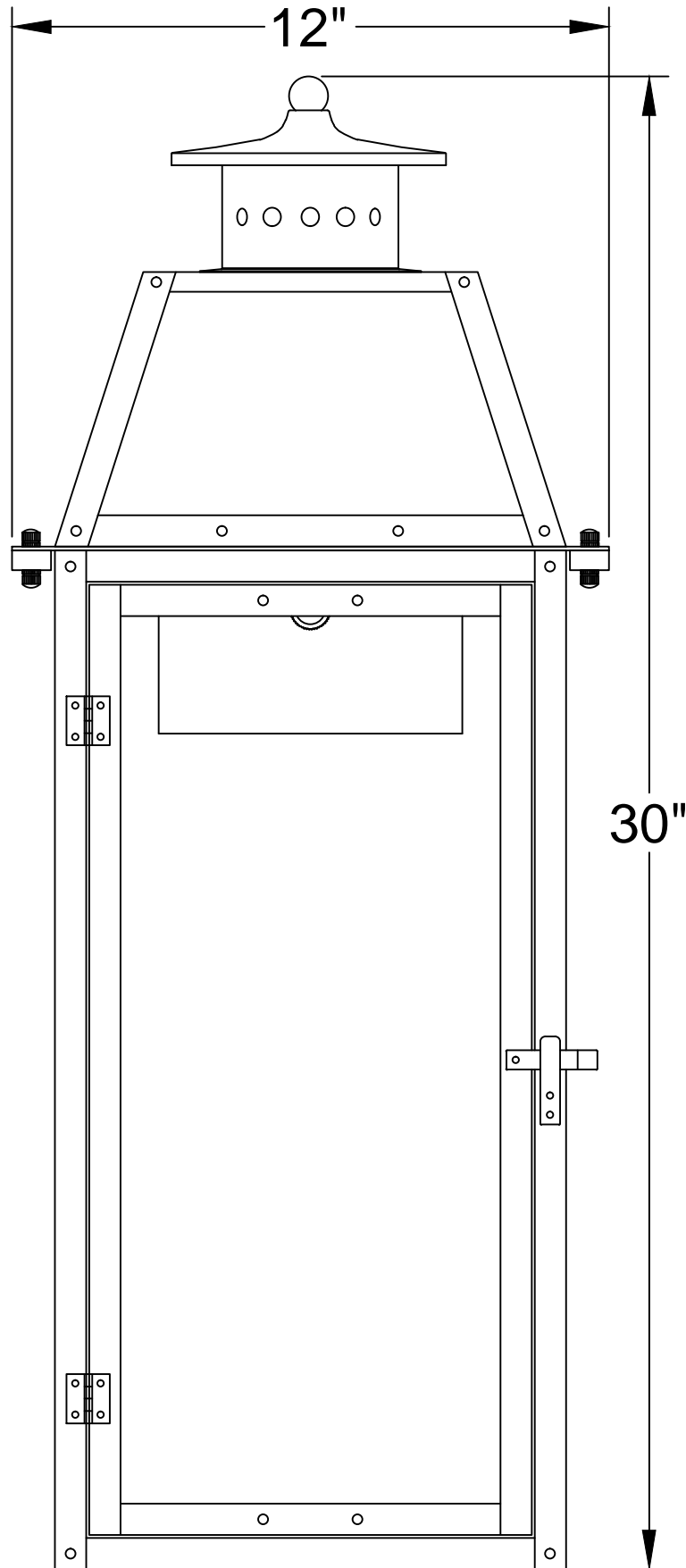
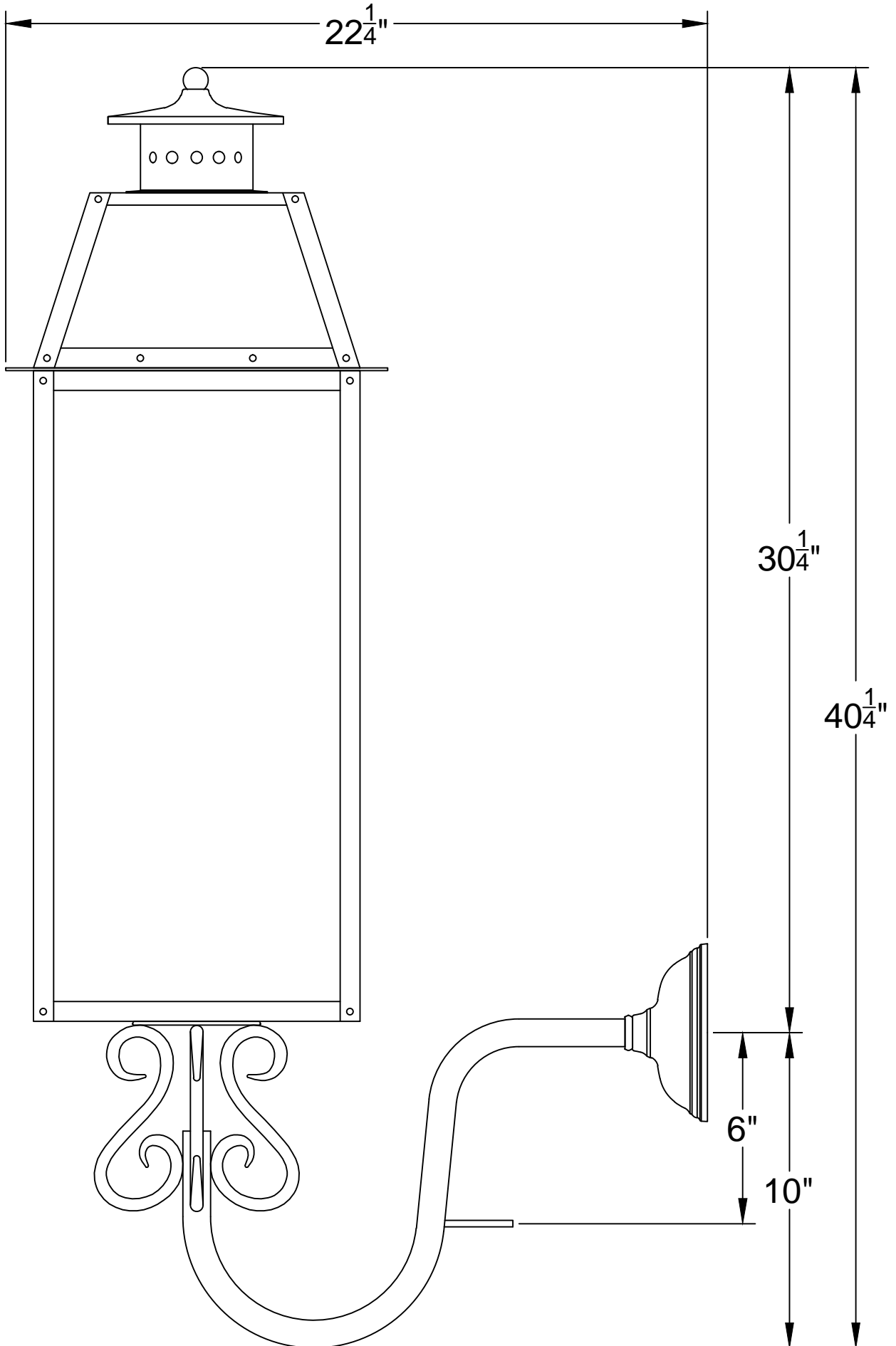


# BV-30



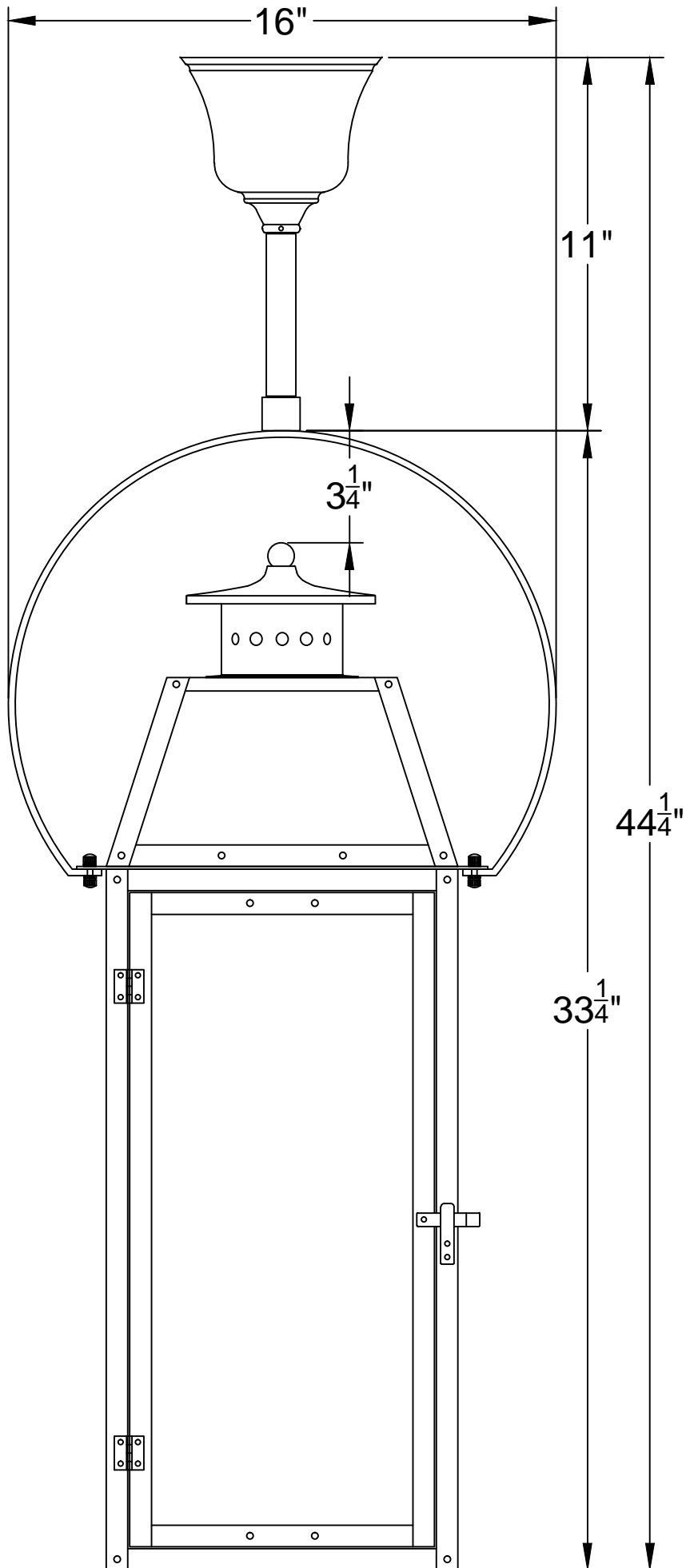
Front

# BV-30

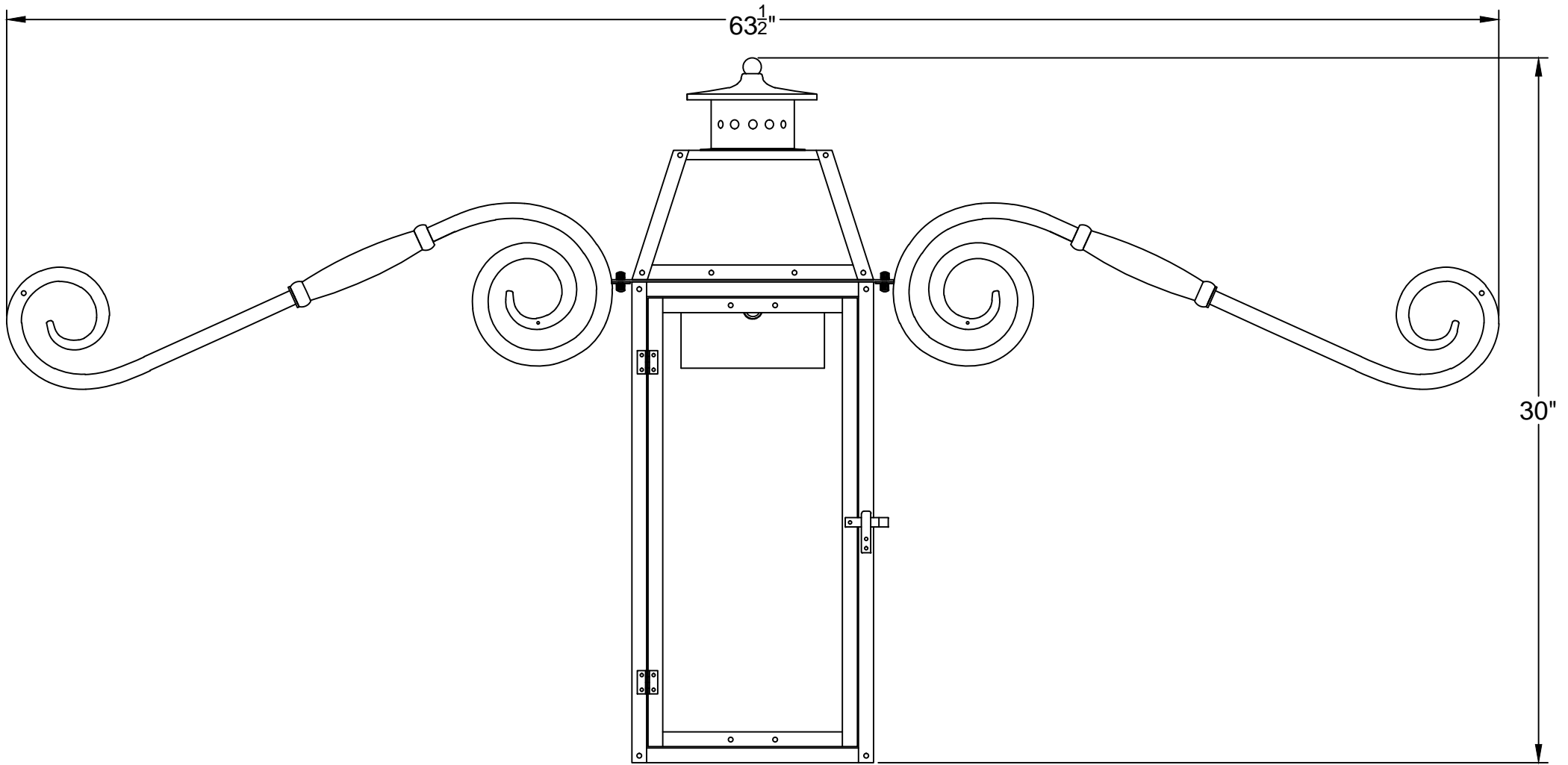


GN

BV-30

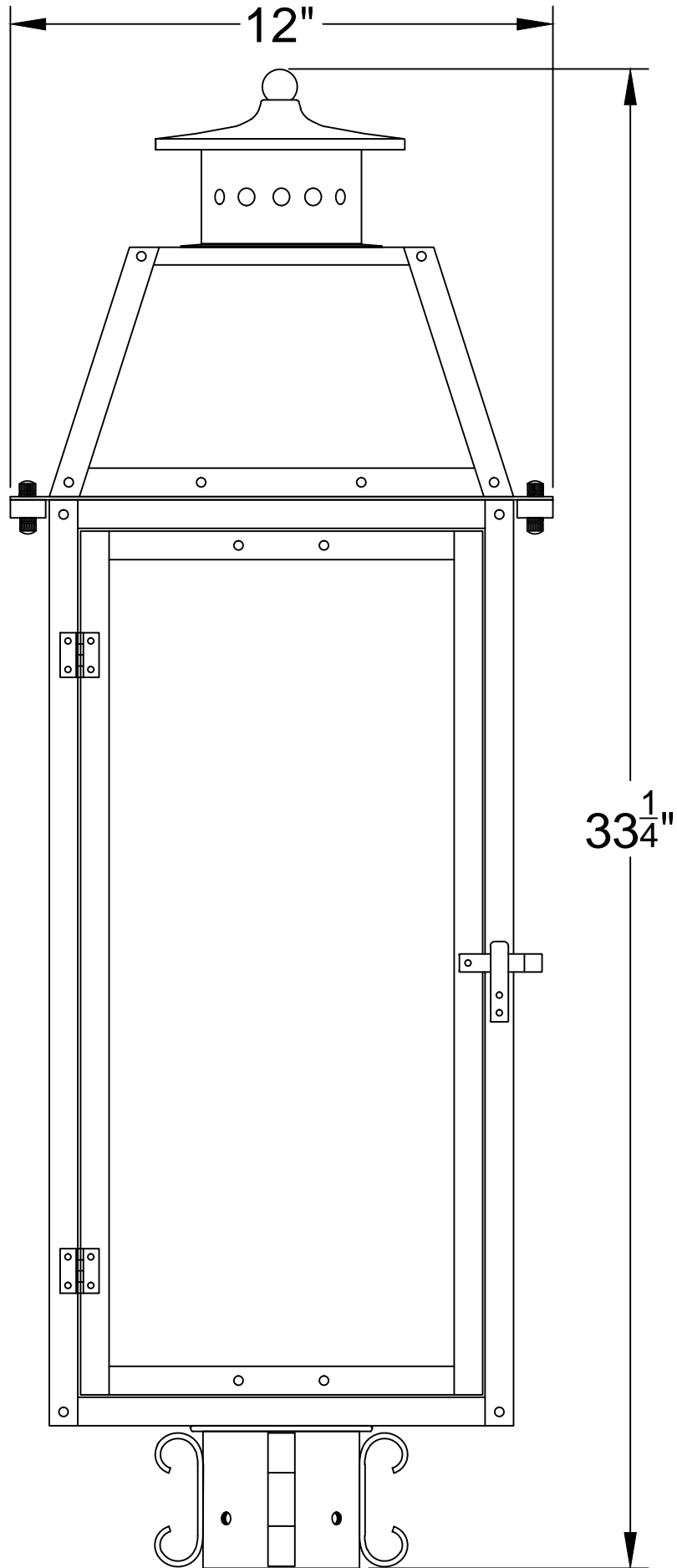


HY-2



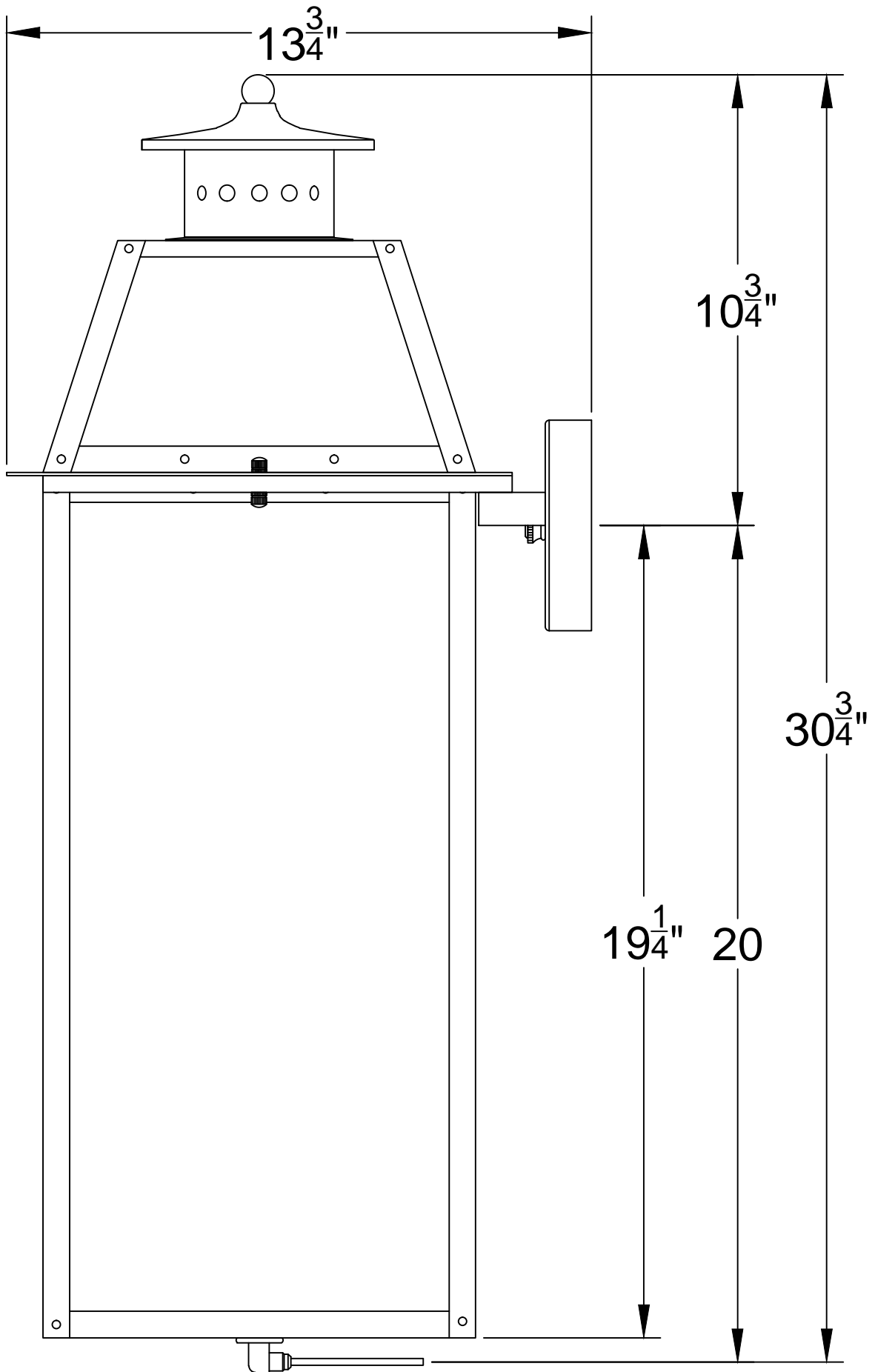
MU

BV-30



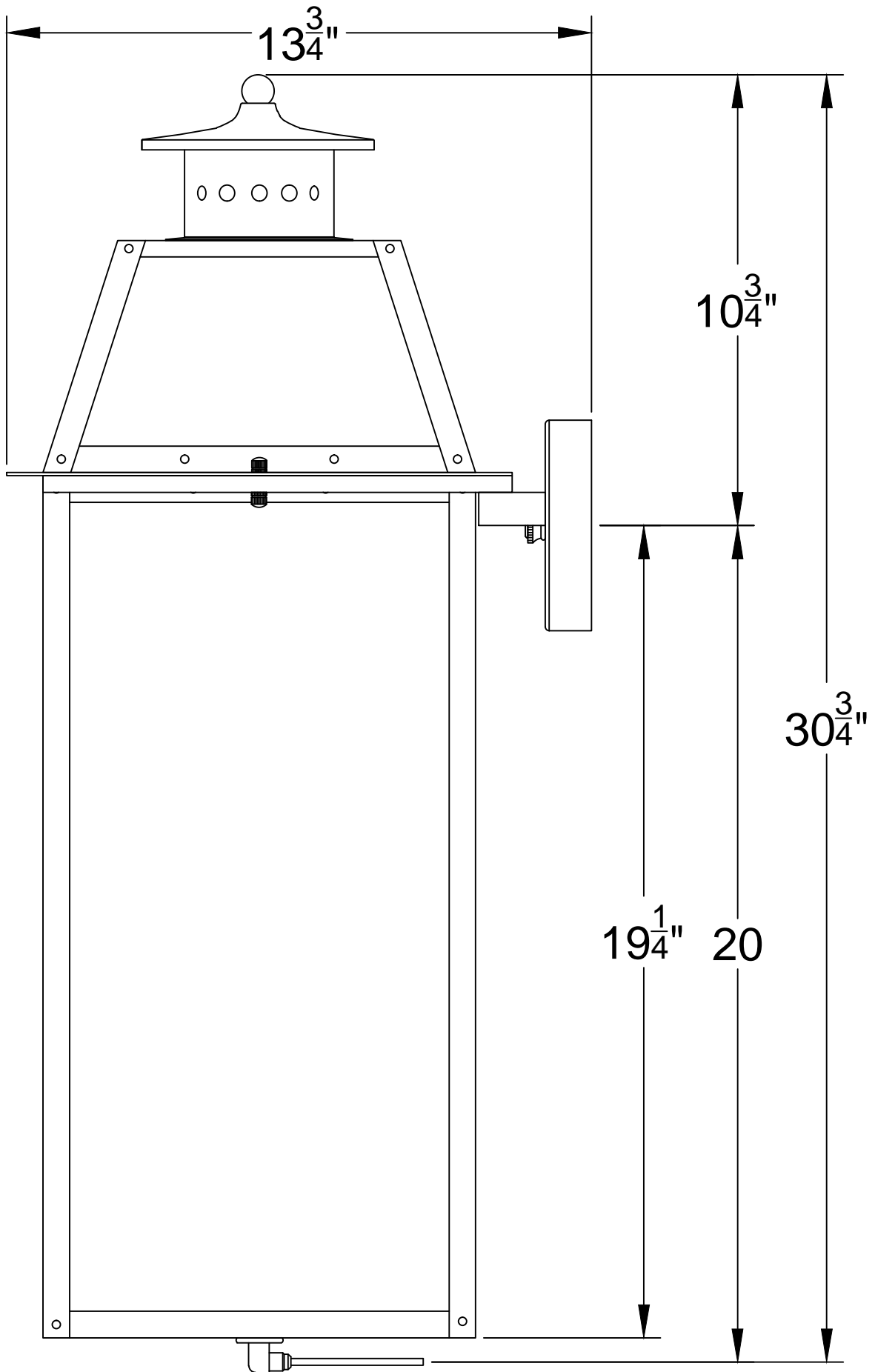
PM

# BV-30



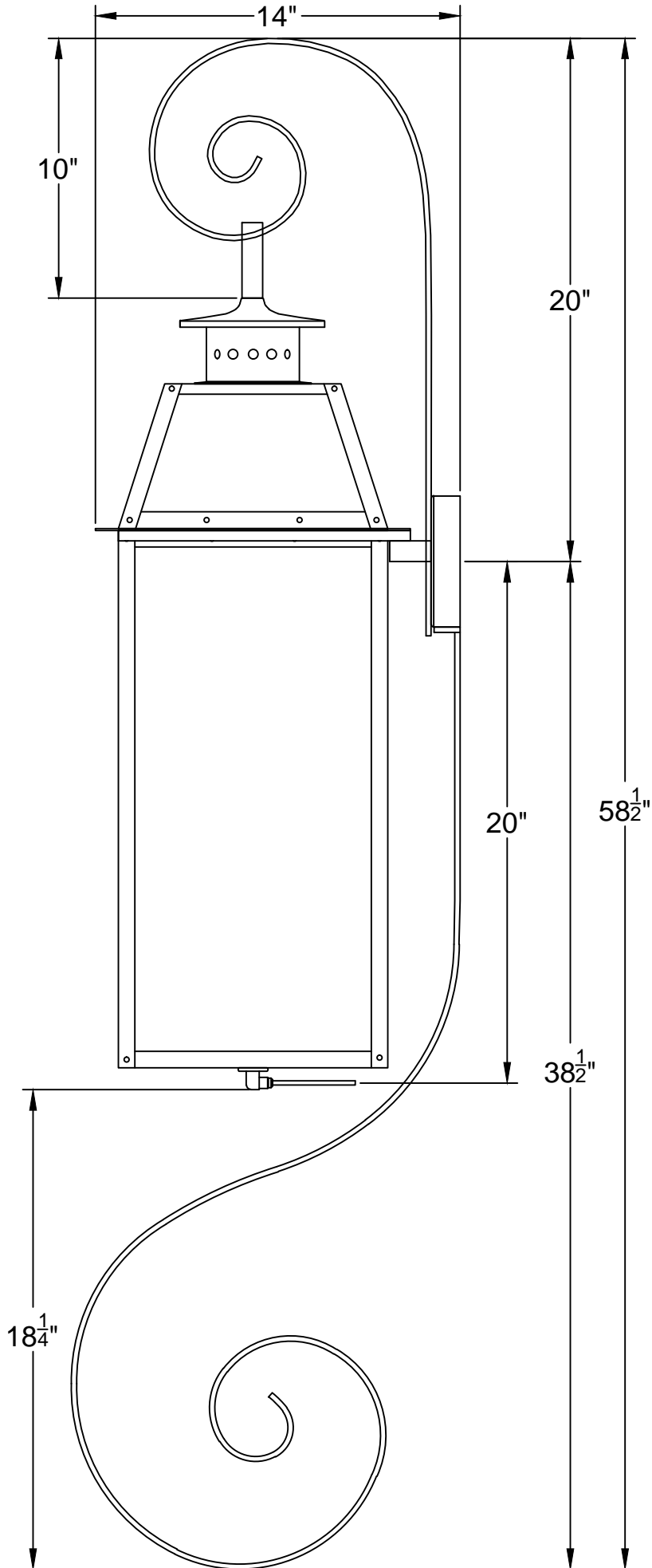
Side

# BV-30



Side

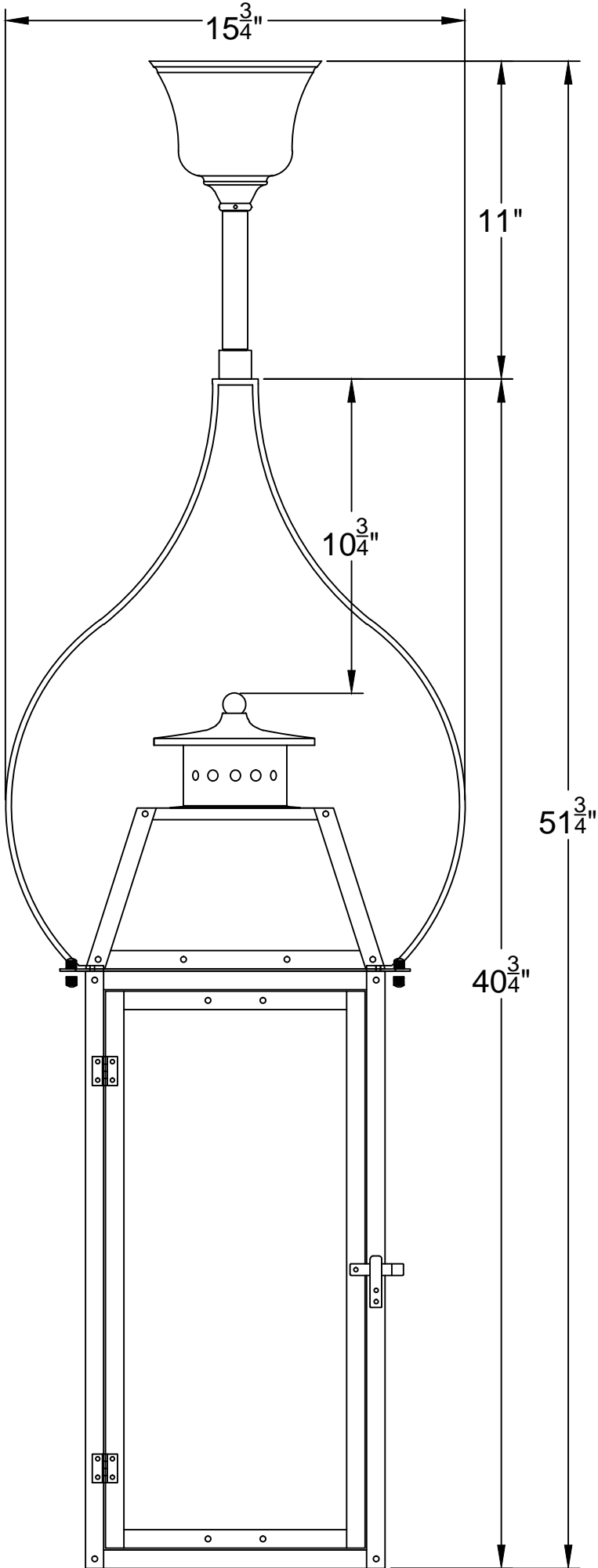
BV-30



BS-4 TS-2



BV-30



TY-1