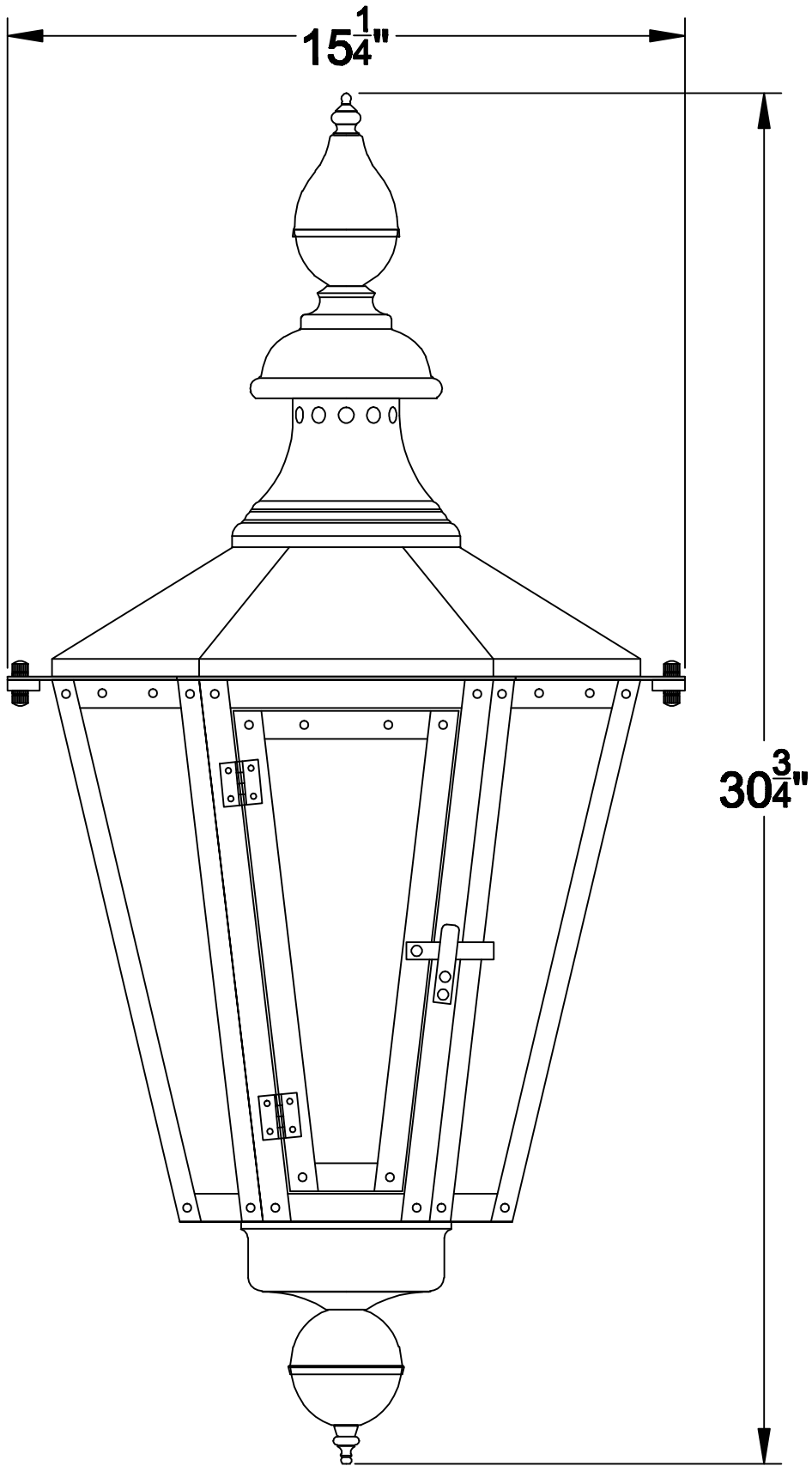


VB-31



Front