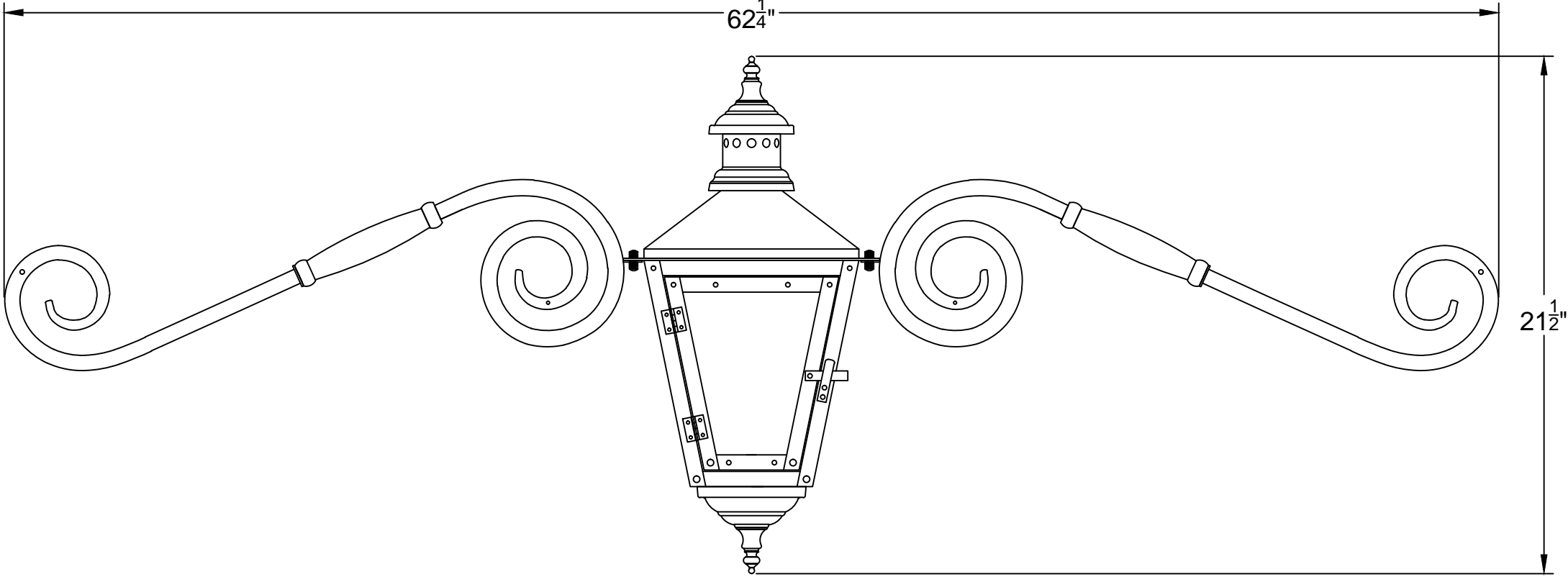


SV-22

62 $\frac{1}{4}$ "



21 $\frac{1}{2}$ "

MU