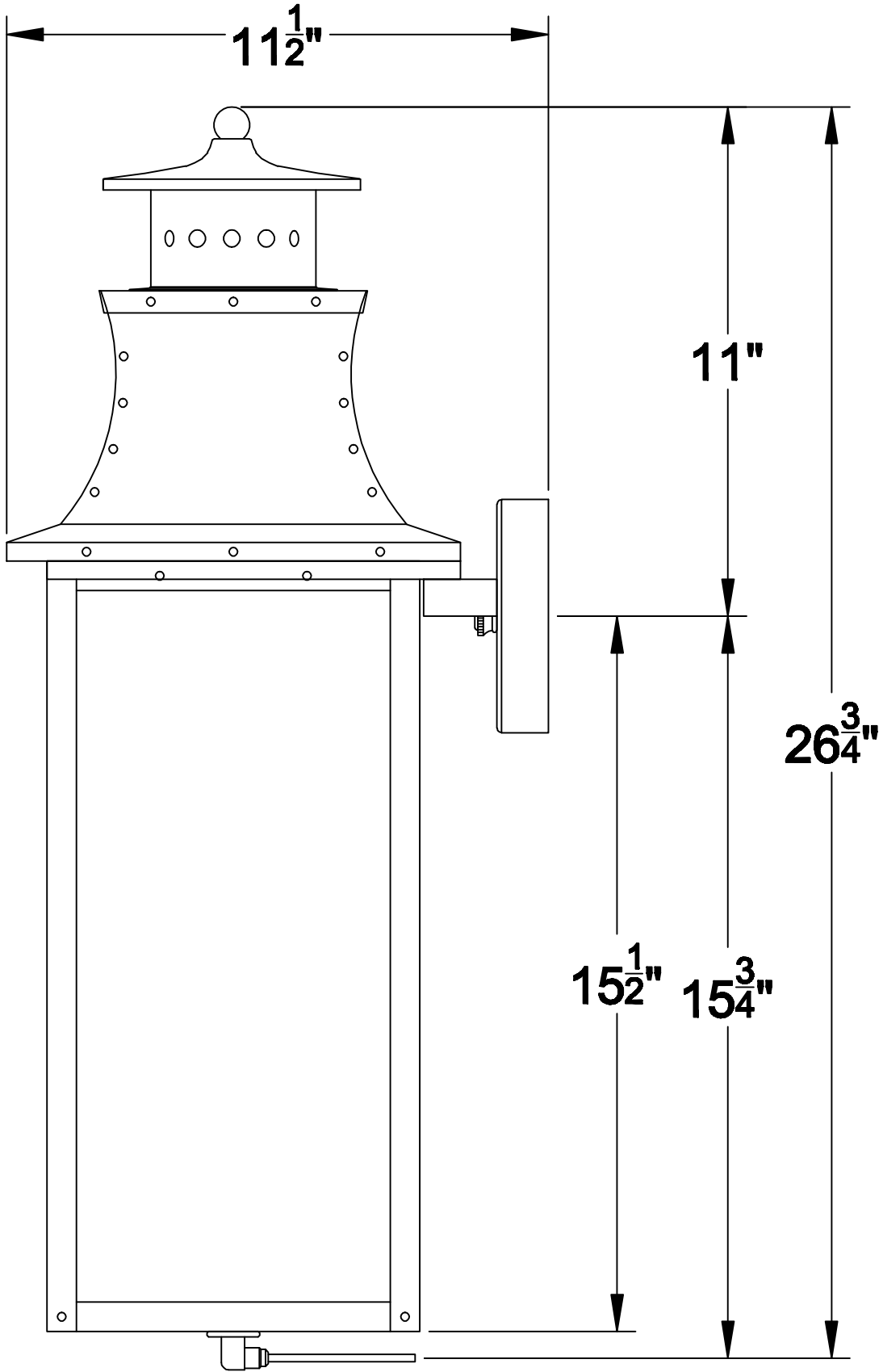


# RL-26



Side