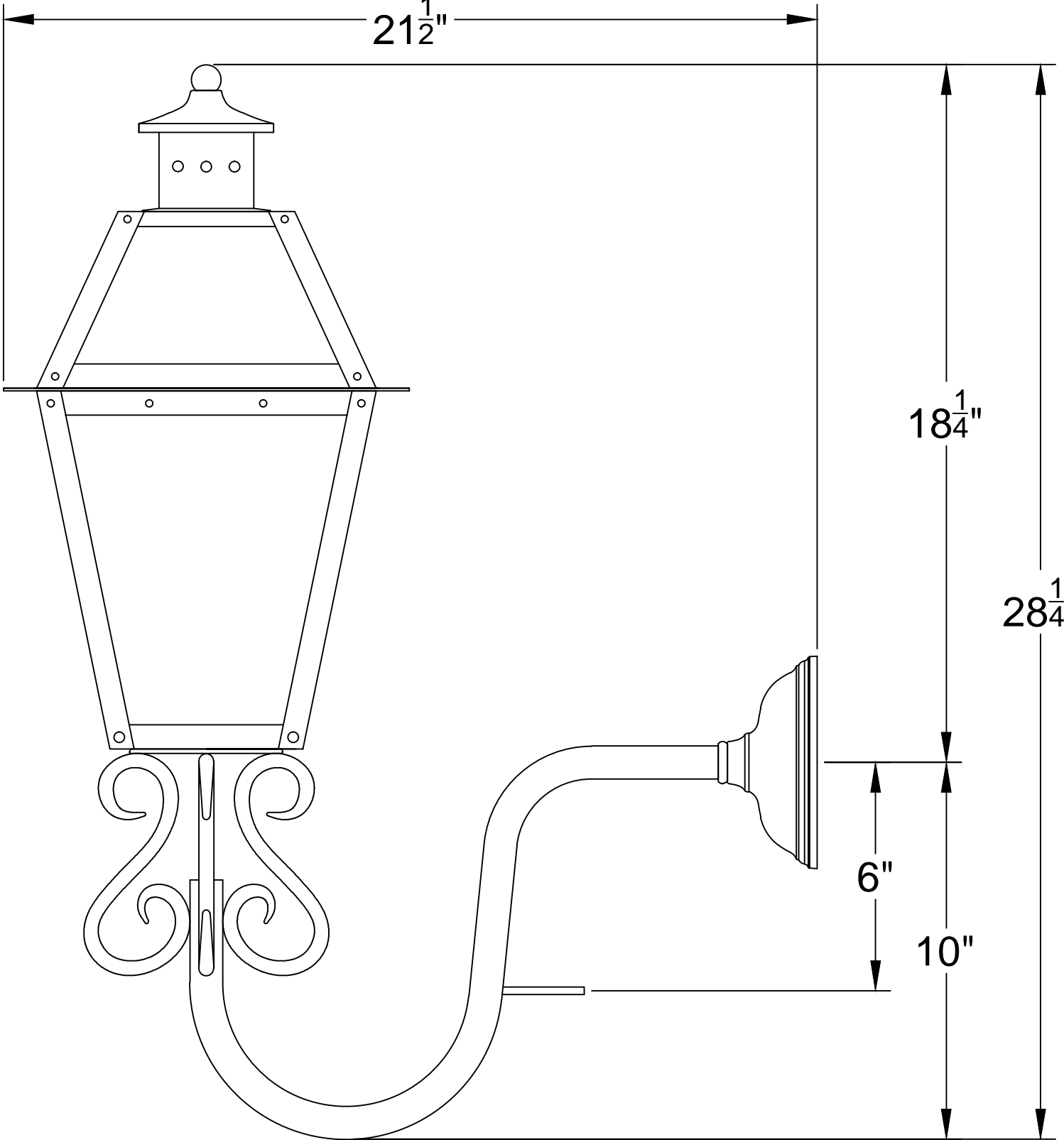


OL-18

21 $\frac{1}{2}$ "



18 $\frac{1}{4}$ "

28 $\frac{1}{4}$ "

6"

10"

GN