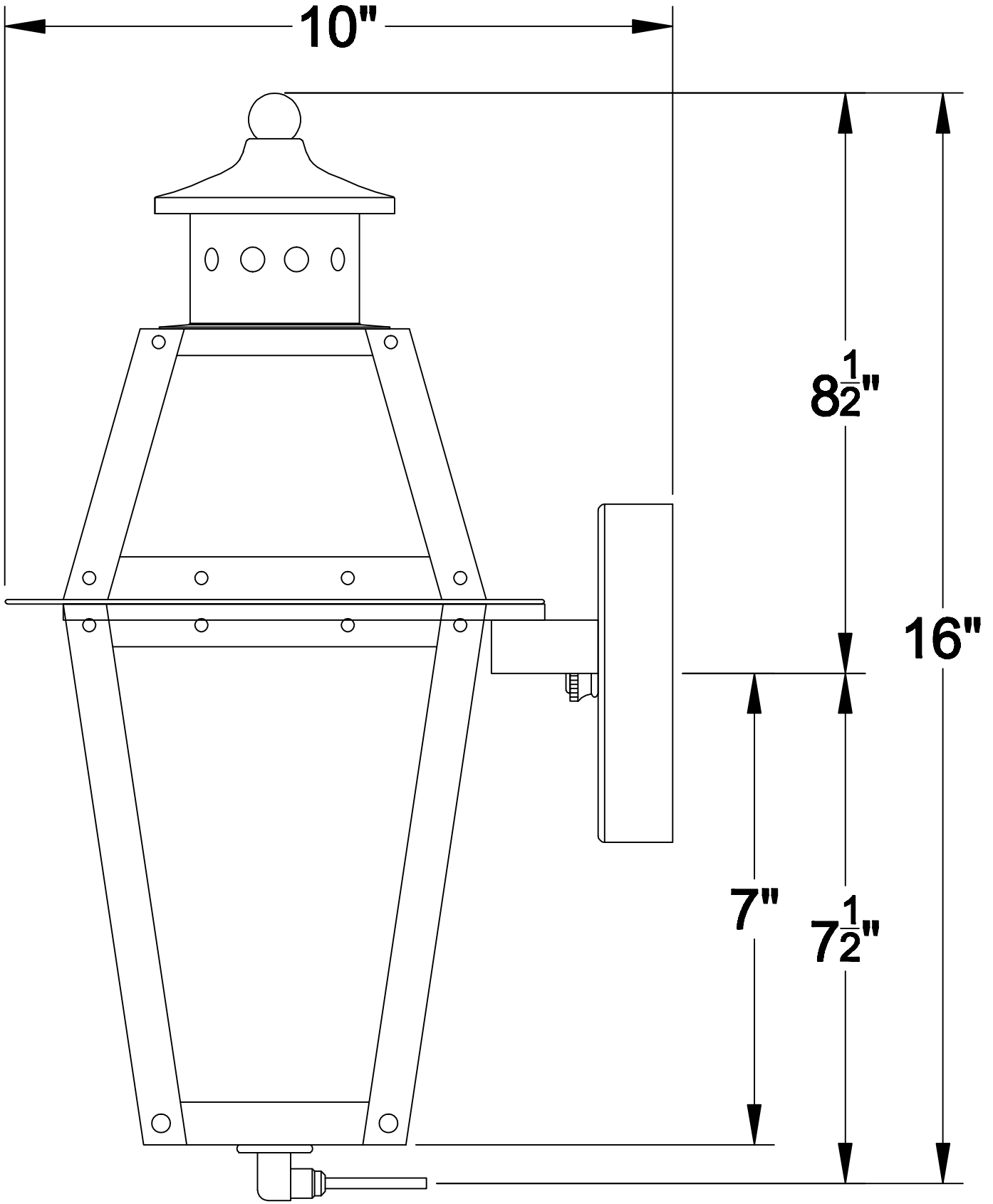


OL-15



Side