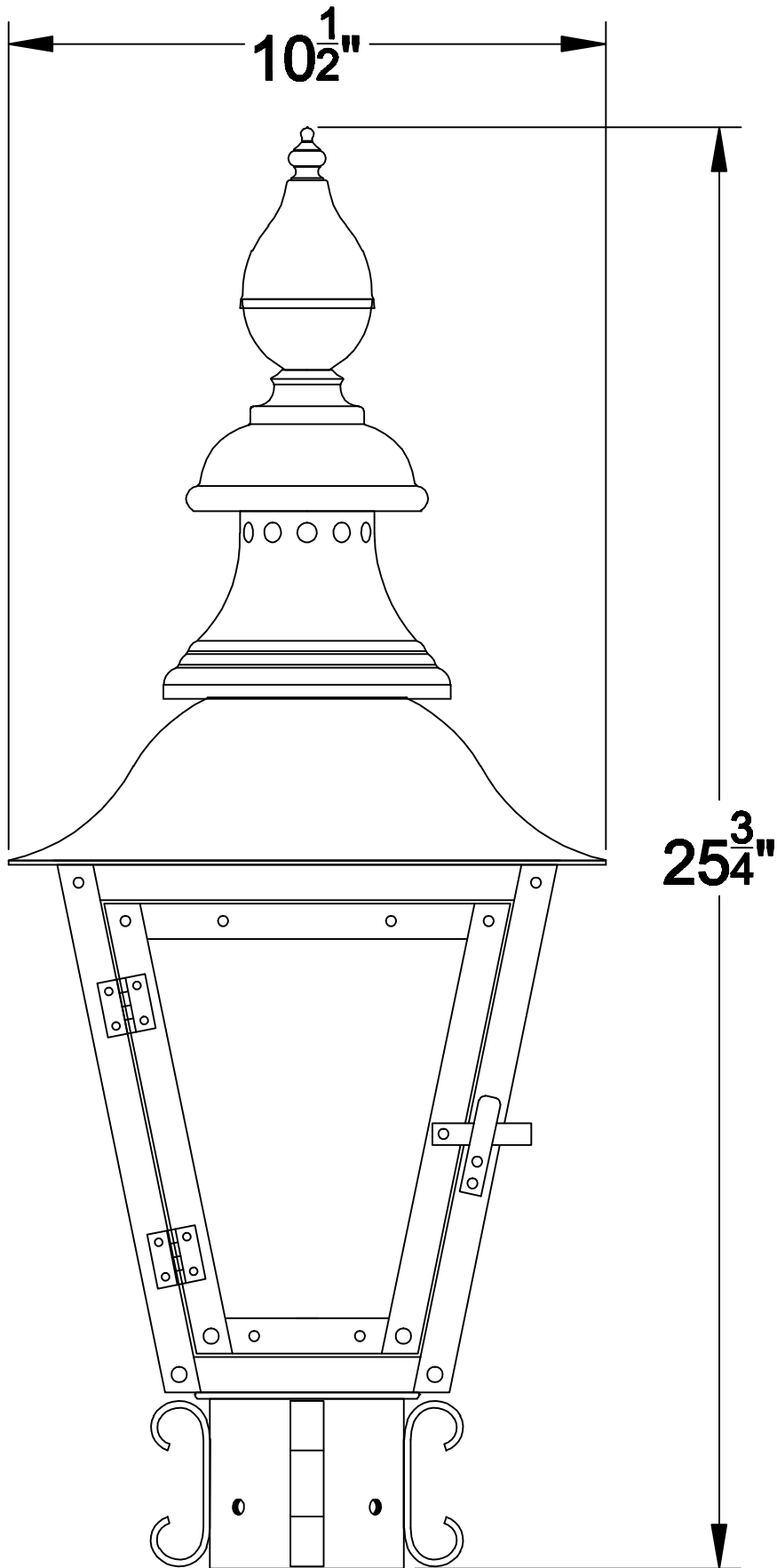


OA-28



PM