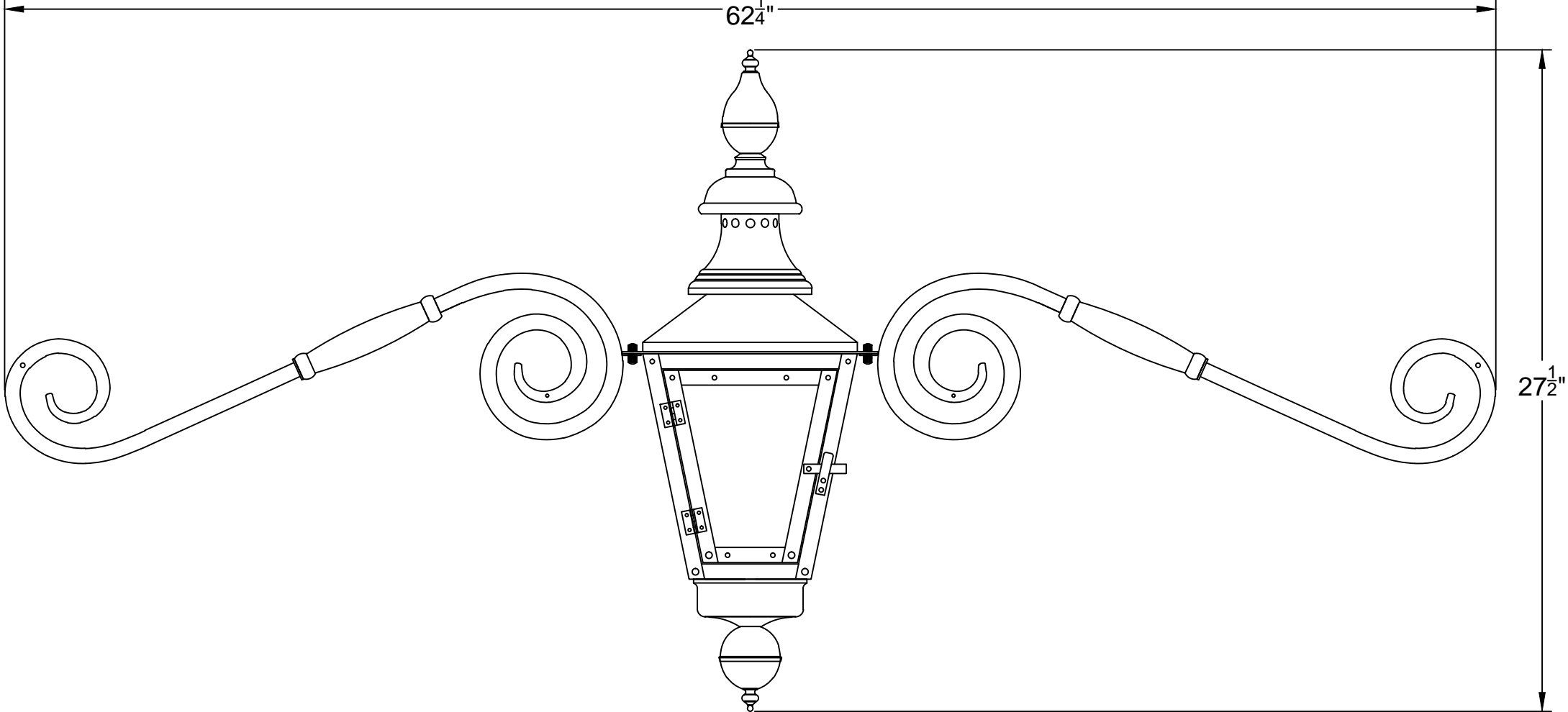


CT-27

62 $\frac{1}{4}$ "



27 $\frac{1}{2}$ "

MU