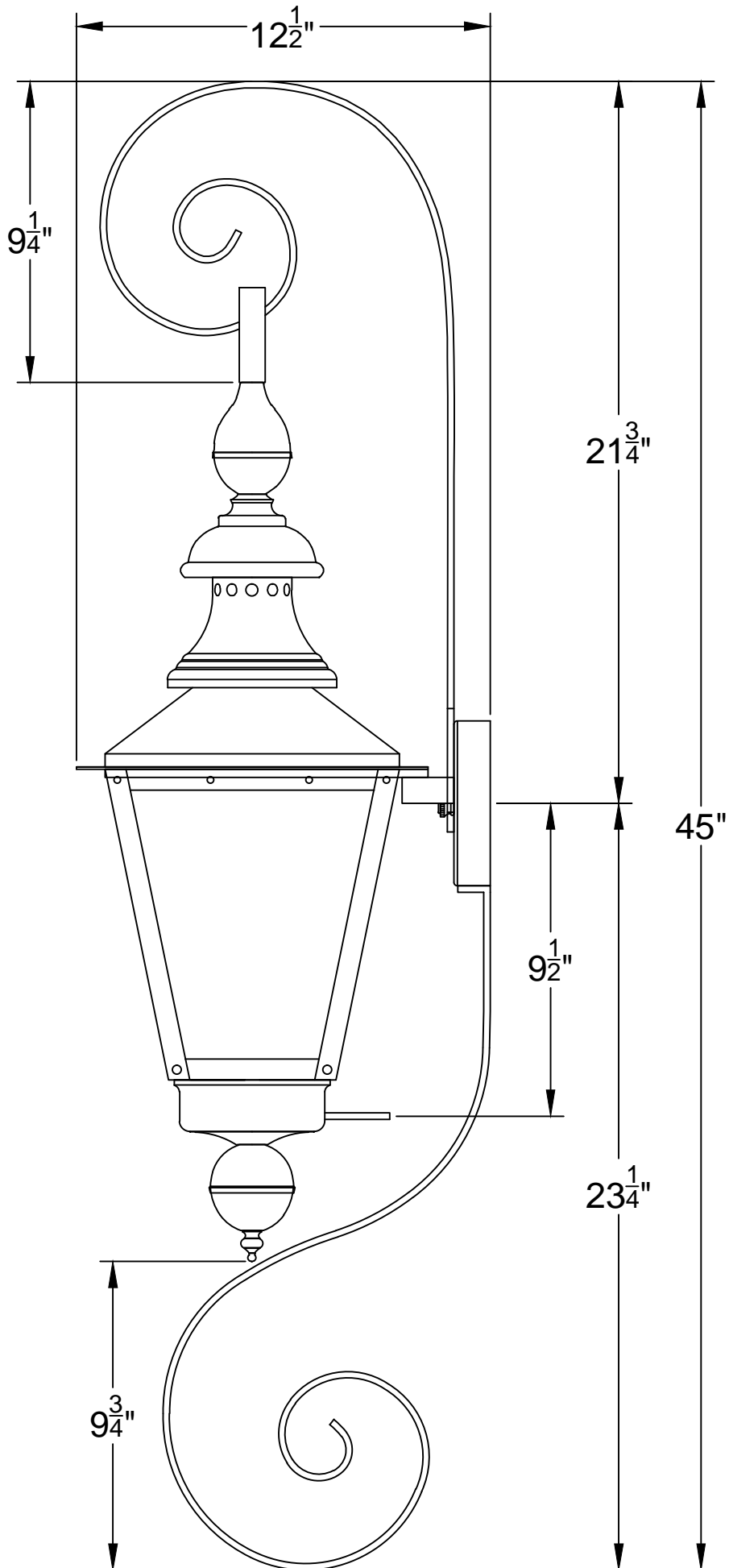


CT-27



TS-2 BS-1