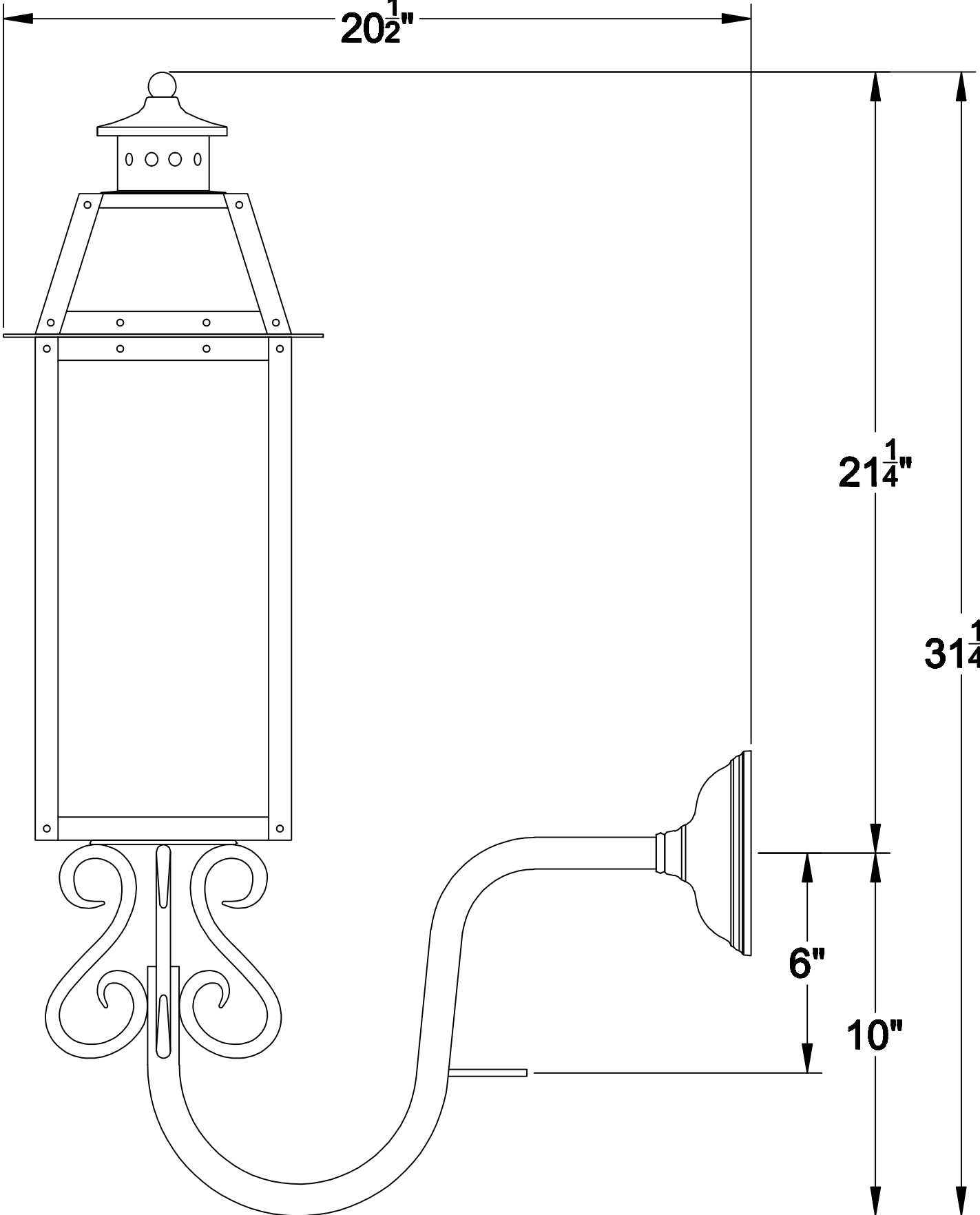


BV-20

20 $\frac{1}{2}$ "



21 $\frac{1}{4}$ "

31 $\frac{1}{4}$ "

6"

10"

GN