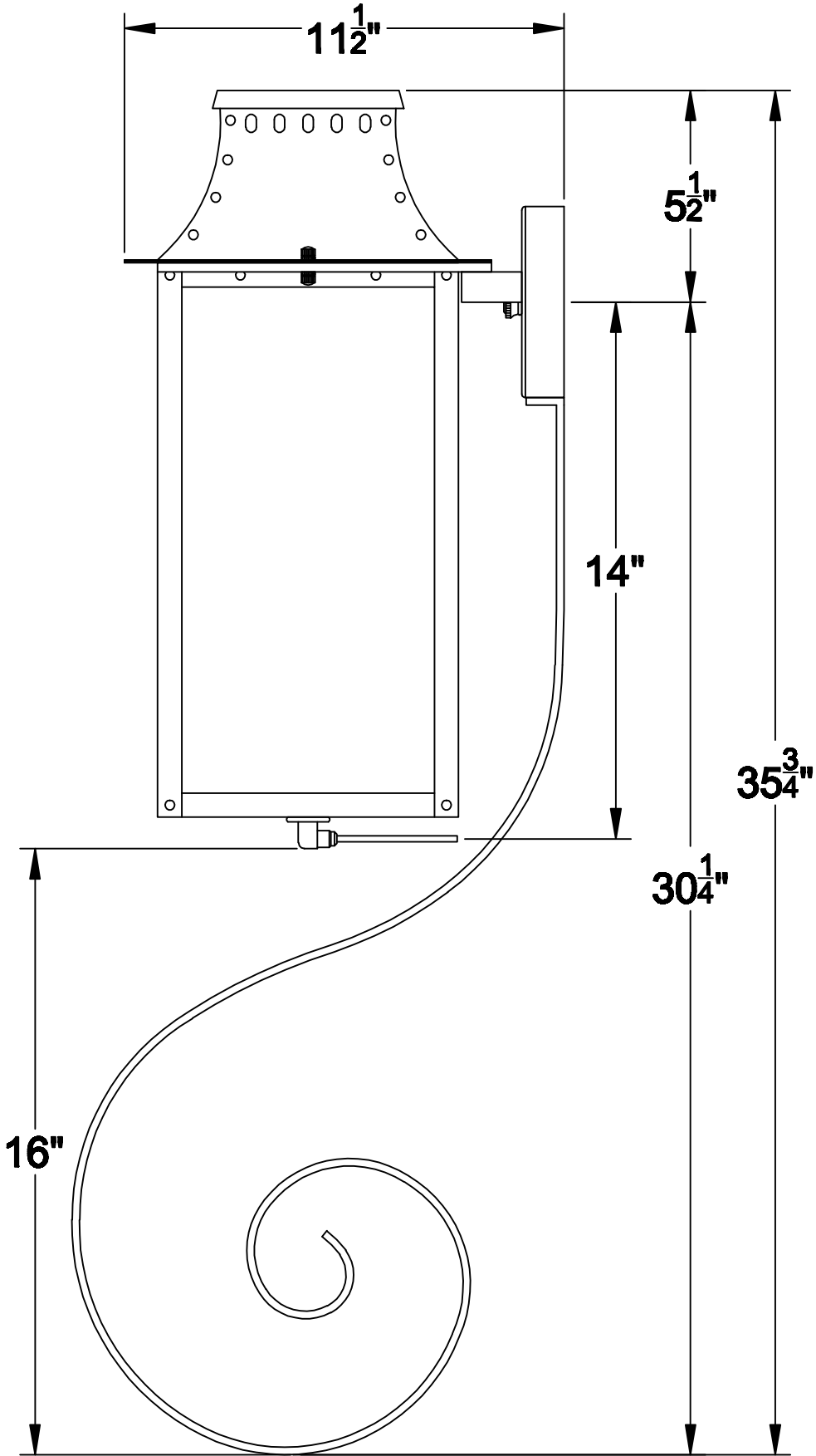


# BB-19



# BS-2