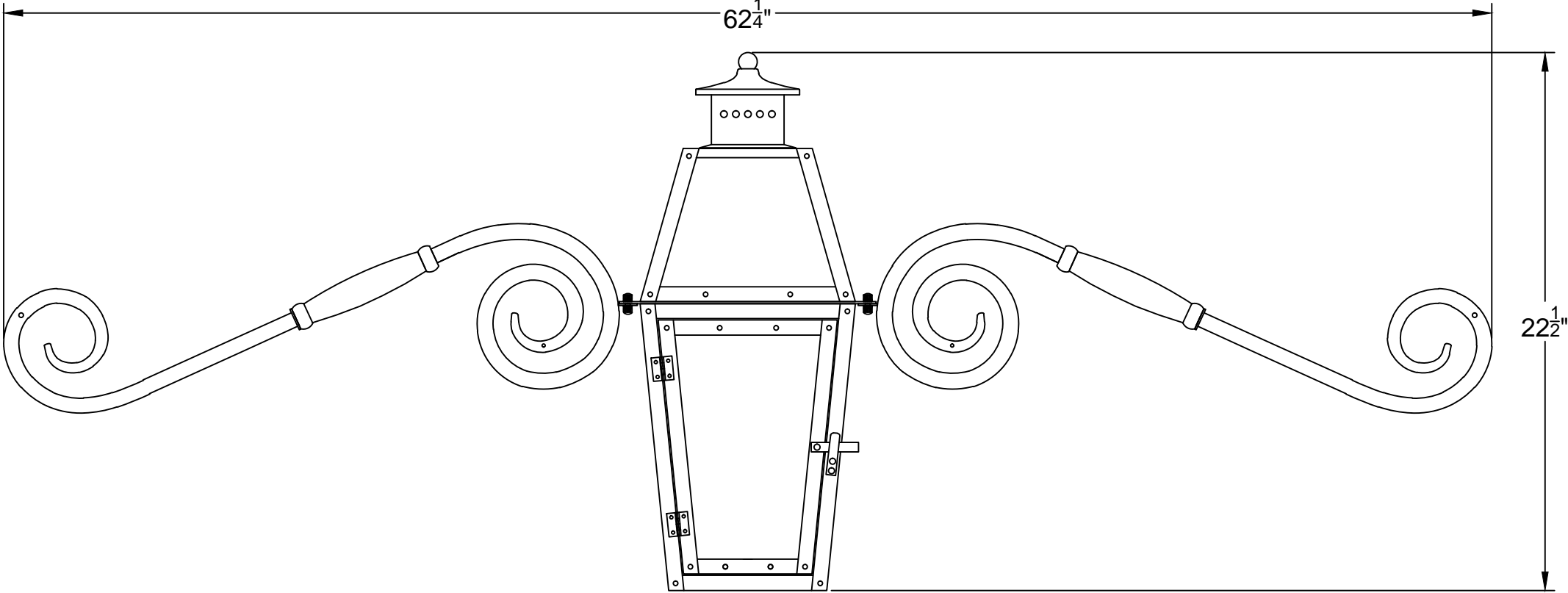


AD-24

62 $\frac{1}{4}$ "



22 $\frac{1}{2}$ "

MU