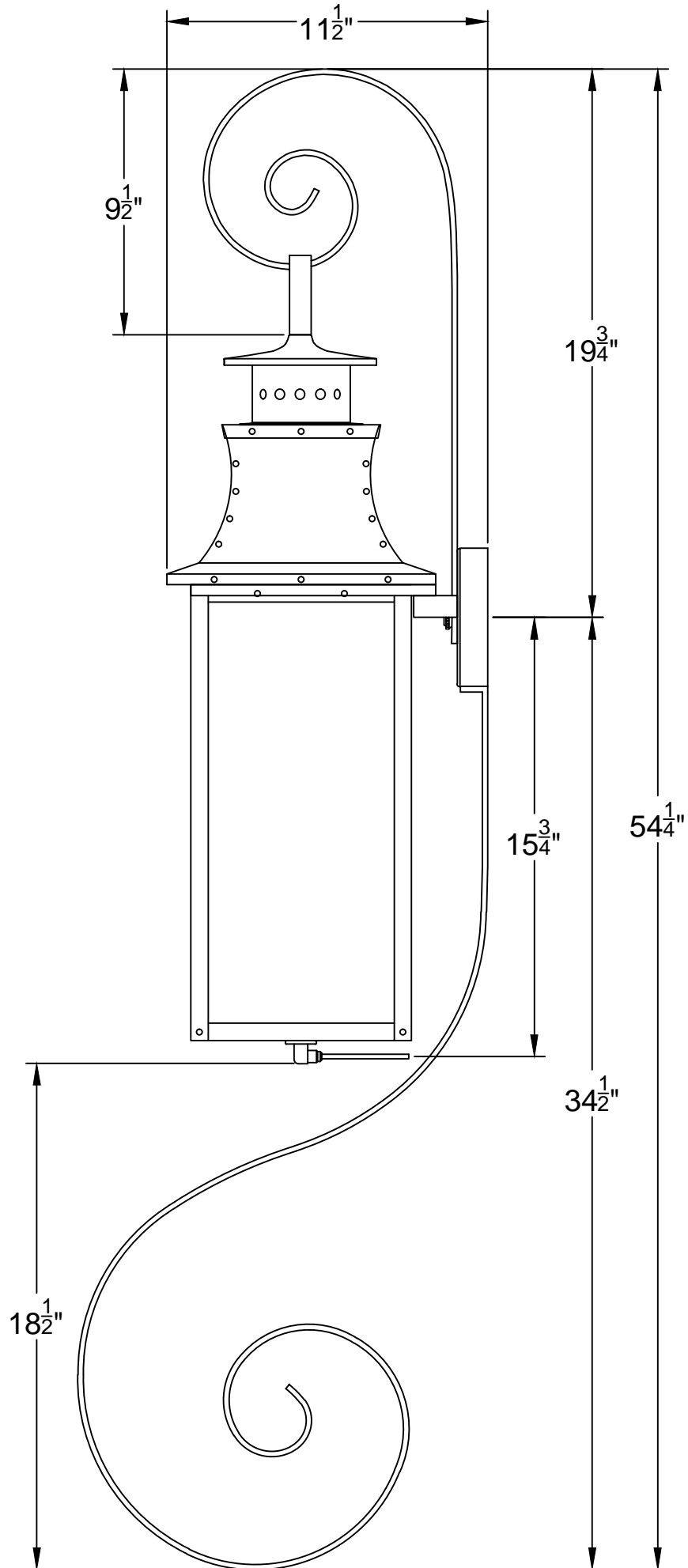


RL-26



TS-1 BS-3