



Installation, Operation & Maintenance Instructions for the PRIER C-108/208 Diamond Series Hot and Cold Wall Hydrant

Please leave this sheet for the property homeowner

Thank you for purchasing the PRIER C-108/208 Diamond Series Hot and Cold Wall Hydrant, the finest quality hot and cold wall hydrant available. Your C-108/208 will provide you years of dependable service with little or no maintenance.

Installation:

Installation procedures may vary slightly depending on the seat option purchased and the installation inlet options. PRIER freezeless wall hydrants are available with the following inlet options:

D	1/2" MIP x 1/2" SWT	Bore 1" Hole
S	1/2" SWT x 3/4" Push-On	Bore 1" Hole
X	1/2" Crimp PEX	Bore 1" Hole
W	1/2" Wirsbo® PEX	Bore 1" Hole
T	3/4" MIP x 1/2" FIP	Bore 1 1/8" Hole
F	3/4" MIP x 3/4" SWT	Bore 1 1/8" Hole
FX	3/4" Crimp PEX	Bore 1 1/8" Hole
FW	3/4" Wirsbo® PEX	Bore 1 1/8" Hole

1. Determine the location for the installation of the hydrant. The valve must be installed into a heated area of the structure that will not drop below freezing. Ensure there is adequate work room in the interior of the structure for securing the hydrant to the plumbing piping.
2. The PRIER C-108/208 is designed for installation for either vertical or horizontal application. The hose threads must be oriented in the DOWN position then locked into place. If the hose thread is not oriented properly, the water will not be able to drain from the hydrant and freeze damage may occur.
3. Bore 2 holes in the size listed above at 3 1/2" centers through the wall in the desired position for the installation.
4. All freezeless wall hydrants require a slight downward pitch to aid the draining process of the hydrant once the product is turned to the "off" position.
5. Ensure supply piping is free of debris, solder and sealants.
6. If you are planning to solder the connection (D, S or F style seats), be certain the hydrant is in the fully open position to prevent seat damage from the heat.
7. Connect the water supply piping to the freezeless wall hydrant as desired. With a closed-end hose on the valve creating back pressure, test the installation for leakage.
8. After the water supply connection is made, secure the hydrant to the structure using appropriate screws through the two mounting holes on the casted back flange.

Operation:

Operation of the C-108/208 Diamond Series Hot and Cold Wall Hydrant is a simple process. Water flows through the hydrant after turning the handles (or operating key for the C-208 style) counter-clockwise to the "on" position. Turn off the hydrant by turning the handle clockwise to the "off" position.

The hydrant will drain for a few moments. If the dripping persists after a few moments, tighten the handle slightly until the dripping stops. Be careful not to overtighten the hydrant.

The C-108/208 incorporates a backflow preventer that operates as a check valve in the rare case that water is forced backwards into the valve. The backflow preventer has been tested to 125 PSI pressure.

ALWAYS REMOVE HOSE DURING FREEZING TEMPERATURES

INTENDED FOR IRRIGATION USE AND OUTDOOR WATERING

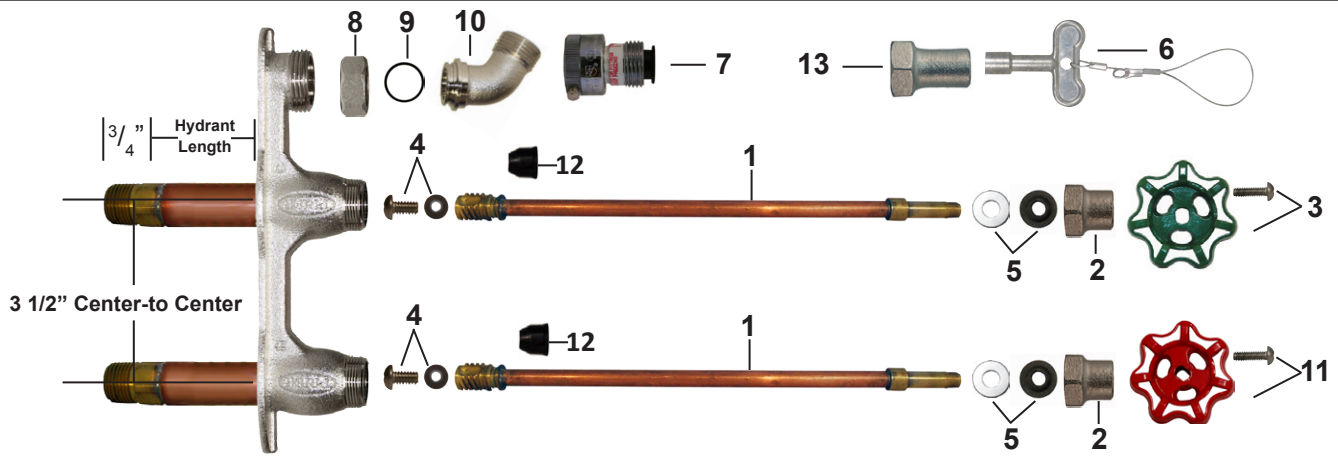
Maintenance:

The C-108/208 Diamond Series Hot and Cold Wall Hydrant leaves the factory fully air tested and operational. It is treated with an FDA approved lubrication. The hydrant requires no scheduled maintenance to provide long life.



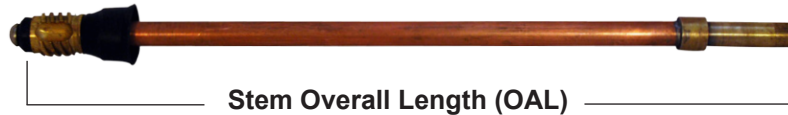
4515 East 139th Street
 Grandview, MO 64030
 (800) 362-9055
 Fax (800) 362-1463
 www.PRIER.com

Replacement Parts



ID	Part No.	Description	ID	Part No.	Description
1	See Below	Stem Assembly, Contains: 1, 4, 12	8	300-0030	Hose Thread Nut
2	300-1008	Valve Stem Cap	9	336-0005	O-Ring for Hose Thread Adapter
3	C-134KT-805	Oval Handle and Screw Kit	10	300-0029	Hose Thread Adapter
4	C-134KT-802	Seat Washer Kit (00 Beveled)	11	C-108KT-805	Red Handle and Screw Kit
5	C-134KT-803	Stem Packing Kit	12	336-0002	Backflow Check Valve for C-108
6	C-108KT-808	Loose Key on Lanyard	13	310-1015	Loose Key Valve Stem Cap
7	P-003CP	Replacement Vacuum Breaker		C-134KT-804	Loose Key Conversion Kit, Contains: 5, 6, 13

Replacement Stems



G Style Manufactured April 2013 - Present

Part No.	Style	Description	Stem Length
P-231-12CC	G	Close Coupled Stem for C-108 Hydrant	4 ³ / ₈ " OAL
P-231-1204	G	Stem for 4" C-108 Hydrant	6 ⁷ / ₈ " OAL
P-231-1206	G	Stem for 6" C-108 Hydrant	8 ⁷ / ₈ " OAL
P-231-1208	G	Stem for 8" C-108 Hydrant	10 ⁷ / ₈ " OAL
P-231-1210	G	Stem for 10" C-108 Hydrant	12 ⁷ / ₈ " OAL
P-231-1212	G	Stem for 12" C-108 Hydrant	14 ⁷ / ₈ " OAL
P-231-1214	G	Stem for 14" C-108 Hydrant	16 ⁷ / ₈ " OAL
P-231-1216	G	Stem for 16" C-108 Hydrant	18 ⁷ / ₈ " OAL
P-231-1218	G	Stem for 18" C-108 Hydrant	20 ⁷ / ₈ " OAL
P-231-1220	G	Stem for 20" C-108 Hydrant	22 ⁷ / ₈ " OAL
P-231-1222	G	Stem for 22" C-108 Hydrant	24 ⁷ / ₈ " OAL
P-231-1224	G	Stem for 24" C-108 Hydrant	26 ⁷ / ₈ " OAL
P-231-12US	G	*Universal Replacement Stem for C-108 Hydrant	Up to 16 ⁷ / ₈ " OAL

****For the old style C-108 Series wall hydrant stems, see C-108 Series retired style spec sheet at www.PRIER.com. PRIER universal stems are replacement stems for any size from close coupled to 14." They require cutting the rod to proper length and soldering the brass stem end to the rod as directed in instructions.**