



Installation, Operation & Maintenance Instructions for the PRIER C-534 Self-Draining Anti-Siphon Wall Hydrant

Please leave this sheet for the property homeowner

Dear Homeowner,

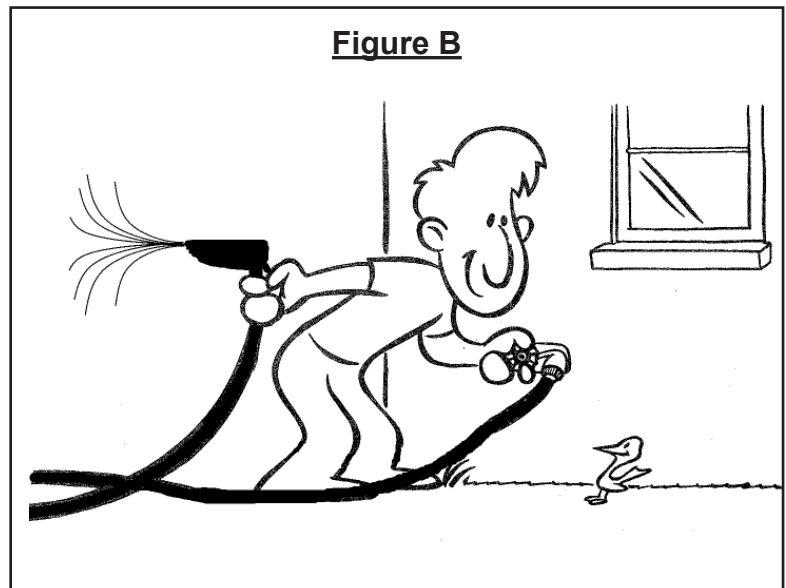
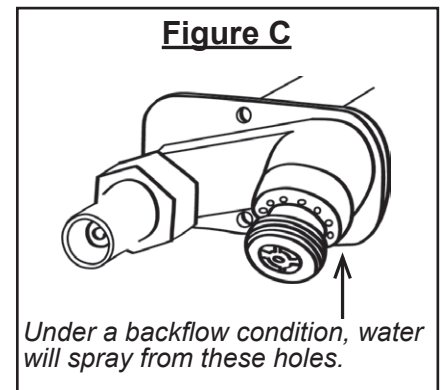
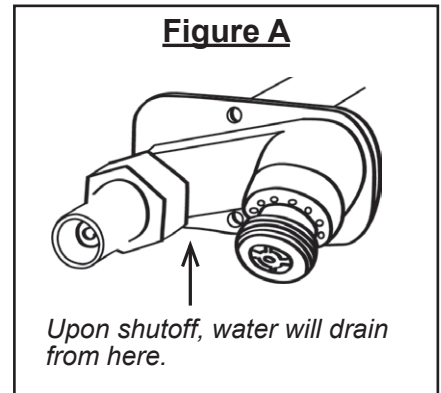
Your plumbing contractor has selected the finest outdoor faucet available for installation at your property. The patented design meets or exceeds plumbing codes regarding anti-siphon and backflow prevention, keeping our potable water system safe. What's more, the hydrant is self-draining to prevent your pipes from bursting in freezing weather, even if the hose is left attached.

A few important features of your new hydrant are as follows:

Your hydrant has drain holes under the packing nut (behind the handle) that allow the water to drain from the hydrant after shutoff to prevent freezing. After shutoff, water will drain from behind the packing nut for a few moments (**Figure A**). This is normal and according to design.

If you use a hose nozzle, you should release the pressure from the hose before shutting off the hydrant (**Figure B**). As you turn off the hydrant, the water will drain from under the packing nut as described above. The backflow will sense a backflow condition in the hose and release the water pressure at the hose threads. This assures the backflow preventor is working properly (**Figure C**).

If you have any questions about the installation or operation of your PRIER freeze-less hydrant, please call PRIER Customer Service at 800-362-9055, or contact us via e-mail at sales@prier.com. PRIER has been manufacturing products for plumbing systems since 1881! PRIER products have been purchased by your ancestors and will be used by your grandchildren.



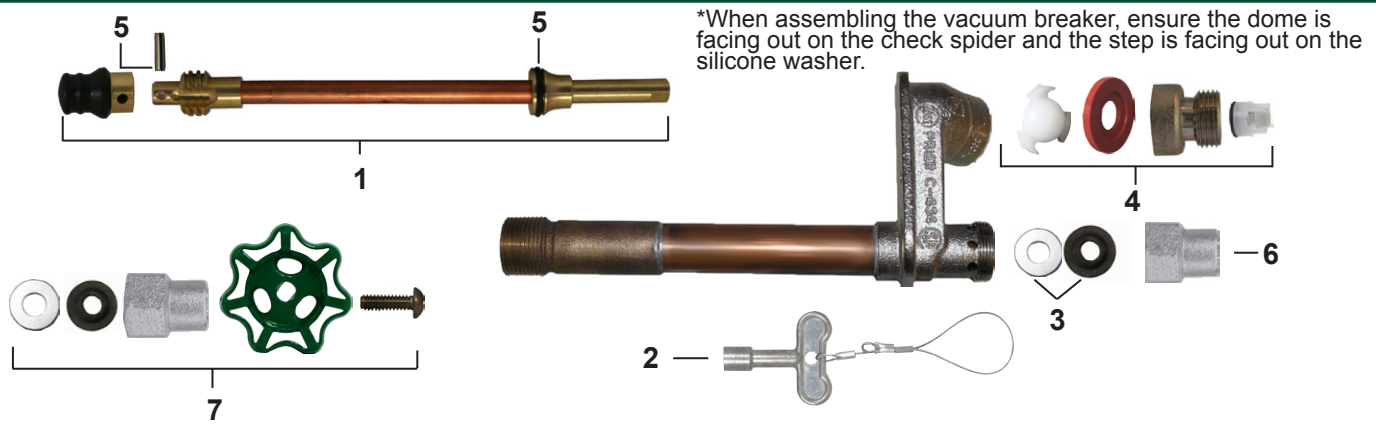
Maintenance:

The C-534 Self-Draining Anti-Siphon Wall Hydrant leaves the factory fully air tested and operational. It is treated with an FDA approved lubrication. The hydrant requires no scheduled maintenance to provide long life. If the stem is removed, the bypass O-Ring needs to be replaced and lubricated with an FDA approved lubricant to avoid tearing.



4515 East 139th Street
 Grandview, MO 64030
 (800) 362-9055
 Fax (800) 362-1463
 www.PRIER.com

Replacement Parts & Stems

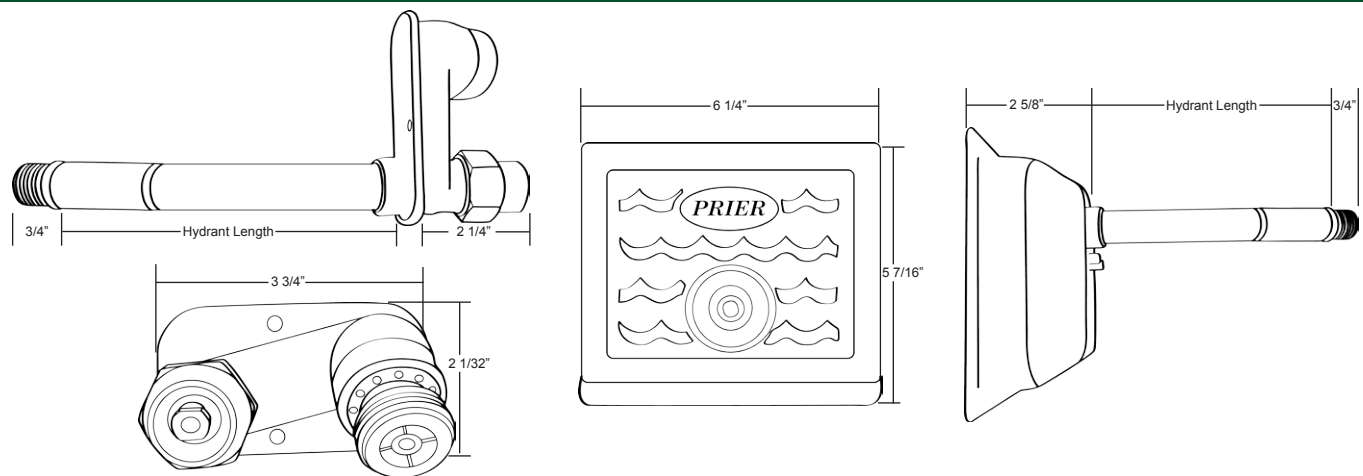


*When assembling the vacuum breaker, ensure the dome is facing out on the check spider and the step is facing out on the silicone washer.

ID	Part No.	Description	ID	Part No.	Description
1	See Below	Stem Assembly, Contains: 1, 5, 6		P-231-0420	Stem for 20" C-434/C-534 Hydrant, 22 1/2" OAL
	P-231-04CC	Stem for CC C-434/C-534 Hydrant, 5 1/4" OAL		P-231-0422	Stem for 22" C-434/C-534 Hydrant, 24 1/2" OAL
	P-231-0404	Stem for 4" C-434/C-534 Hydrant, 6 1/2" OAL		P-231-0424	Stem for 24" C-434/C-534 Hydrant, 26 1/2" OAL
	P-231-0406	Stem for 6" C-434/C-534 Hydrant, 8 1/2" OAL	2	C-108KT-808	Loose Key on Lanyard
	P-231-0408	Stem for 8" C-434/C-534 Hydrant, 10 1/2" OAL	3	C-434KT-903	Stem Packing and Washer Kit
	P-231-0410	Stem for 10" C-434/C-534 Hydrant, 12 1/2" OAL	4	C-434KT-906	Vacuum Breaker Repair Kit
	P-231-0412	Stem for 12" C-434/C-534 Hydrant, 14 1/2" OAL	5	C-434KT-902	Stopper and Pin Kit (with tool and o-ring)
	P-231-0414	Stem for 14" C-434/C-534 Hydrant, 16 1/2" OAL	6	300-1021	Valve Stem Cap for C-534
	P-231-0416	Stem for 16" C-434/C-534 Hydrant, 18 1/2" OAL	7	C-534KT-804	Handle Conversion Kit to C-434
	P-231-0418	Stem for 18" C-434/C-534 Hydrant, 20 1/2" OAL		C-534KT-907	Overhaul Kit for C-534, Contains: 2, 3, 4, 5, 6

For the **old style C-534 Series wall hydrant stems, see C-534 Series retired style spec sheet at www.PRIER.com.

Rough-In Dimensions Specs



Furnish and install freezless model C-534 Commercial Wall Hydrant as manufactured by PRIER Products, Inc. Hydrant shall have automatic draining capabilities with integral ASSE 1052 approved double check vacuum breaker/backflow preventor. Hydrant shall have 3/4" hose connection with freezless water flow and self-draining functions. After hydrant is turned in the "off" position, hydrant must be capable of draining even with the hose attached and under pressure without sprayback. Hydrant shall be constructed of all non-ferrous materials with EPDM sealing mechanisms. Hydrant body must be satin nickel plated. For stability of operation, hydrant stem shall be secured at the seat end with ACME type threads and at the handle end with the packing nut. Lockshield must be long enough to ensure operation only with the included operating key. Hydrant must be installed through a 1 1/8" diameter hole without any custom brick cutting. Hydrant body shall incorporate proper drainage pitch to ensure proper drainage. Operating Key is to be furnished with each hydrant. Hydrant insertion length to be \pm inches. *Close coupled to 24" in 2" increments.

Optional: Furnish and install flush-mount hydrant box for each valve. Hydrant box shall be manufactured of stainless steel. Box may be installed separately and hydrant be insertable and removable from front of the box. Access to the hydrant box shall be provided by the same operating key as the valve.