

Tech Cylinders and Universal Flat Back Cylinder

AKTTCR AKTTCF AKTUP

One Line Voltage lamp up to 300W

DATE: _____ TYPE: _____

FIRM NAME: _____

PROJECT: _____

ArchiTrak®

For conversion to millimeters,
multiply inches by 25.4
Not to Scale

APPLICATIONS:

Prescolite's ArchiTrak® series of tech and universal cylinders offers a high tech industrial look that can be incorporated into a wide variety of commercial, hospitality and retail applications.

TRACK FIXTURE:

Soft round diecast back housing with heavy gauge formed steel housing. Rotates 110° vertically and 358° horizontally. Diecast swivel connector has solid copper contact bars, fixed for one or two circuit connection without modification. Baked enamel finish available in black (BL), white (WH), or Zet (Z, metallic silver). AKTUP has adjustable socket.

LAMP:

Use one (1) of the following lamps. Lamps furnished by others.

AKTTCR, AKTTCF:

45-150W PAR-38, 75-150W BR-40,
50-75W PAR-30L, 50-85W BR-30,
25-100W A-19 (AKTTCF only),
100-150W A-21 (AKTTCF only)

AKTUP: 300W Max.

Use only PAR, R, BR type lamps

SOCKET:

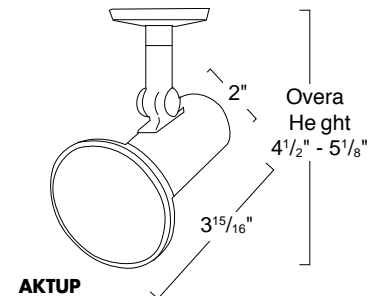
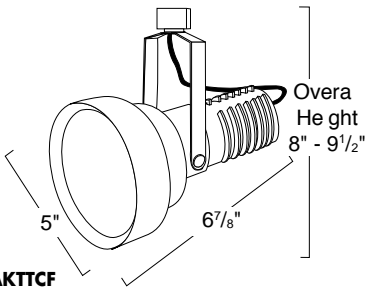
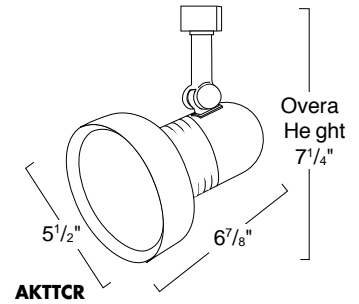
Porcelain socket wired with 150° C wire.

INSTALLATION:

Easy installation onto ArchiTrak one/two circuit track.

LABELS:

CSA NRTL/C Listed



CATALOG NUMBER:

EXAMPLE: AKTTCRBLL

TRACK FIXTURES

- AKTTCR BL**
 - AKTTCR WH**
 - AKTTCR Z**
- Round back line voltage tech cylinder, 150W max

TRACK FIXTURES

- AKTTCF BL**
 - AKTTCF WH**
 - AKTTCF Z**
- Flat back line voltage tech cylinder, 150W max

TRACK FIXTURES

- AKTUP BL**
 - AKTUP WH**
 - AKTUP Z**
- Universal flat back line voltage cylinder, 300W max

ArchiTrak® - Line Voltage Tech & Universal Cylinder AKTTCR, AKTTCF, AKTUP



Web: www.prescolite.com • Tech Support: **(888) 777-4832**
101 Corporate Drive • Spartanburg, SC 29303 U.S.A. • Phone (864) 599-6000
Prescolite is an affiliate of Hubbell Lighting, Inc., with representatives' offices throughout North America

Copyright ©2005 Prescolite, All Rights Reserved • Specifications subject to change without notice. • Printed in U.S.A. • ATRK-012 • 05/05



**Hubbell
Lighting, Inc.**