

# TRÜ Faucets

BY PREMIER COPPER PRODUCTS

## MODEL NUMBER: K-SPD02ORB

- \* Description: Spring Pull Down Kitchen Faucet
- \* Finish: Oil Rubbed Bronze
- \* Installation: Single Hole
- \* Overall Height: 20.875"
- \* Spout Reach: 8.75"
- \* Flow Rate: 1.8 GPM
- \* Prop 65 Compliant
- \* Certifications: ASME A112.18.1/CSA B125.1, NSF/ANSI 61, California Lead Plumbing Law, ADA Compliant



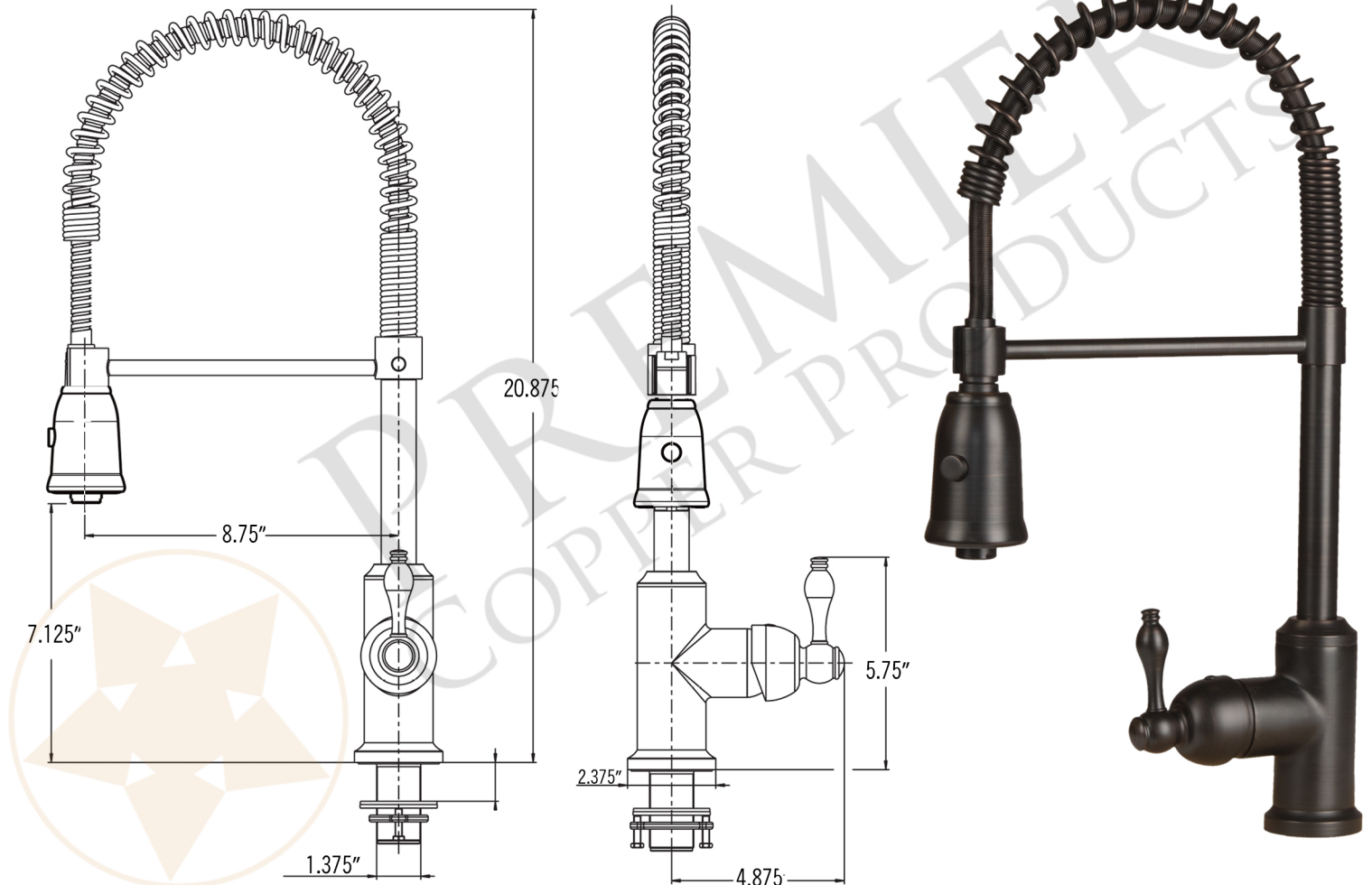
\* ORB: Oil Rubbed Bronze

### Features:

- \* Solid Brass Construction
- \* Drip Free Ceramic Disc Cartridges
- \* Solid Brass Support Bar
- \* Dual Function Spray - Toggle Between Stream and Spray
- \* Solid Brass Spray Head

### Models:

- \* K-SPD02ORB-G Faucet w/ D-130ORB Garbage Disposal Drain
- \* K-SPD02ORB-D Faucet w/ D-132ORB Strainer Drain
- \* K-SPD02ORB-DG Faucet w/ D-130ORB Disposal and D-132ORB Strainer Drains
- \* K-SPD02ORB-DD Faucet w/ (2) D-132ORB Strainer Drains

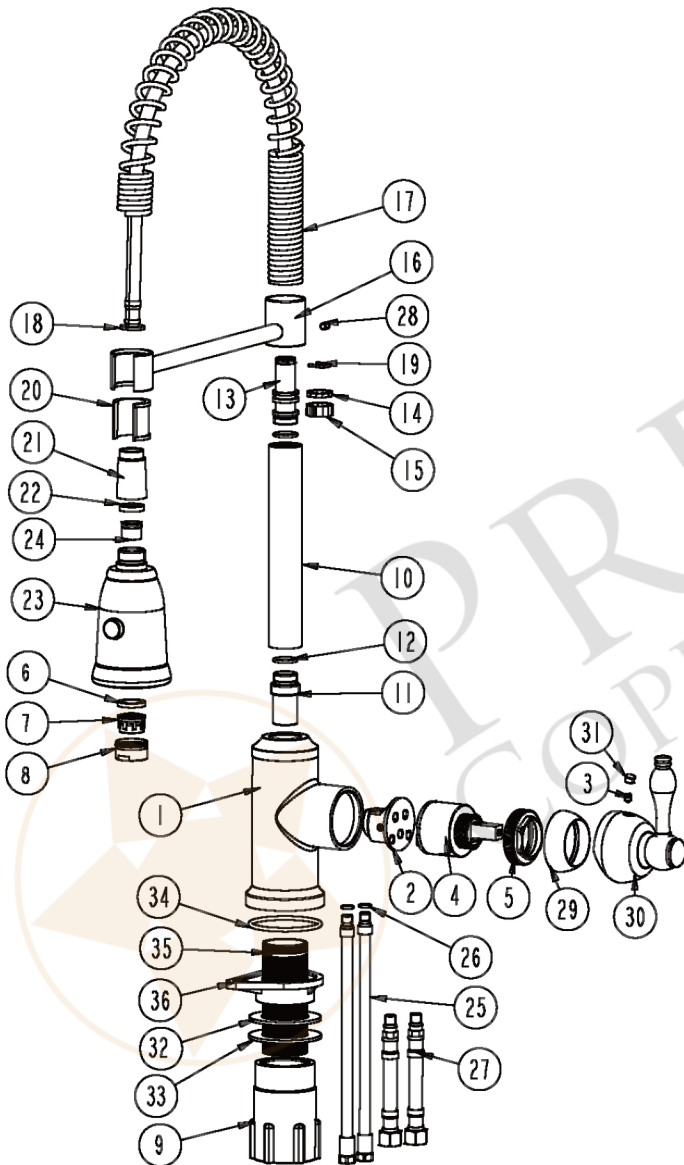


- \* Description: Spring Pull Down Kitchen Faucet
- \* Finish: Oil Rubbed Bronze
- \* Installation: Single Hole
- \* Overall Height: 20.875"
- \* Spout Reach: 8.75"
- \* Flow Rate: 1.8 GPM
- \* Prop 65 Compliant
- \* Certifications: ASME A112.18.1/CSA B125.1, NSF/ANSI 61, California Lead Plumbing Law, ADA Compliant



\* ORB: Oil Rubbed Bronze

### Exploded Parts View:



### Parts Listing:

36	1601411	Angle Stand	1	PA-66
35	0302300	Thread Pipe	1	SUS304
34	0501400	O-ring	1	NBR
33	1801210	Steel Gasket	1	Q235
32	0550500	Washer	1	NBR
31	10002XX	Handle Screw Cover	1	ABS
30	01106XX	Handle	1	BRASS
29	11013XX	Cartridge Cover	1	H62
28	0900200	Inner Hex Locking Screws	1	SUS304
27	N8601400	SS Flex	2	COMBINATION
26	N0504300	O-ring	2	N7118F
25	0307200	Inlet Tube Weldment	2	BRASS
24	N7300516	Check Valve	1	COMBINATION
23	N80203XX	Sprayer	1	COMBINATION
22	N0553100	Washer	1	EP7118F
21	15077XX	Cone Nut	1	BRASS
20	1500913	Sprayer Guard Sleeve	1	ABS
19	1801900	Snap Spring	1	SUS304
18	N8600713	Nylon Flex	1	COMBINATION
17	14022XX	Spring Tube	1	SUS304
16	84006XX	Sprayer Bracket	1	BRASS
15	1800411	Friction Ring	1	POM
14	1800511	Friction Ring	1	POM
13	X0415700	Swivel Joint	1	BRASS
12	N0500300	O-ring	2	N7118F
11	X0415800	Joint	1	BRASS
10	N03202XX	Outlet Flex House	1	H62
9	1200113	Lock Nut	1	POM/BRASS
8	15002XX	Aerator Body	1	BRASS
7	N061498	Aerator	1	PLASTIC
6	N0550200	Washer	1	N7118F
5	1100700	Cartridge Lock Nut	1	BRASS
4	N7140898	Cartridge	1	CERAMIC
3	0902000	Handle Screw	2	SUS304
2	X1611200	Cartridge Base	1	BRASS
1	08586XX	Body	1	BRASS
NO.	MODEL	PART NAME	QTY	MATERIAL