

Premier Copper Products

CODE/STANDARD COMPLIANCE

\* IAPMO/cUPC LISTED



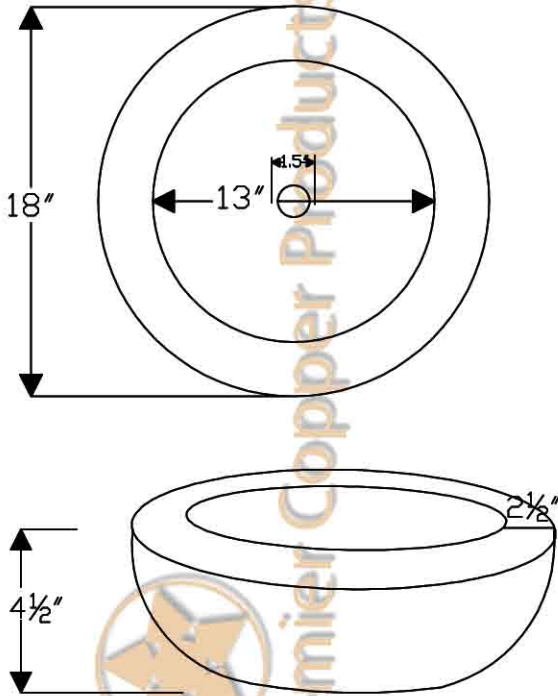
# ITEM # PVRDW18 PREMIUM 18" BLOOMING VESSEL

OUTER DIMENSIONS: 18"X4.5"

INNER DIMENSION: 13"X4.5"

DRAIN SIZE: 1.5" W/O OVERFLOW

MATERIAL GAUGE: 17



**IMPORTANT:** THIS PRODUCT IS HAND CRAFTED AND SMALL VARIANCES MAY OCCUR. DIMENSIONS MAY VARY UP TO 1/4". DO NOT MAKE ANY INSTALLATION CUTS UNTIL YOU RECEIVE YOUR SINK.