

2000 ANELLO COLLECTION MITERED TOWEL BARS

MODERN TRANSITIONAL

sales@preferredbathinc.com

www.preferredbathinc.com

(336) 904-6248



STRONG MODERN CONSTRUCTION

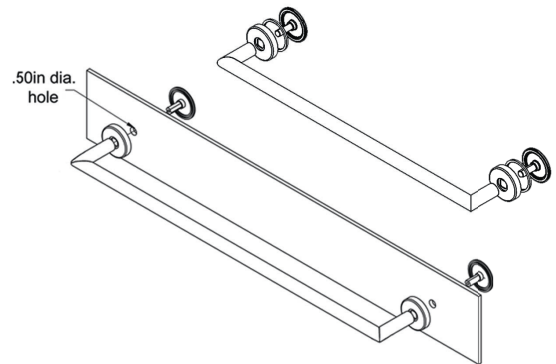
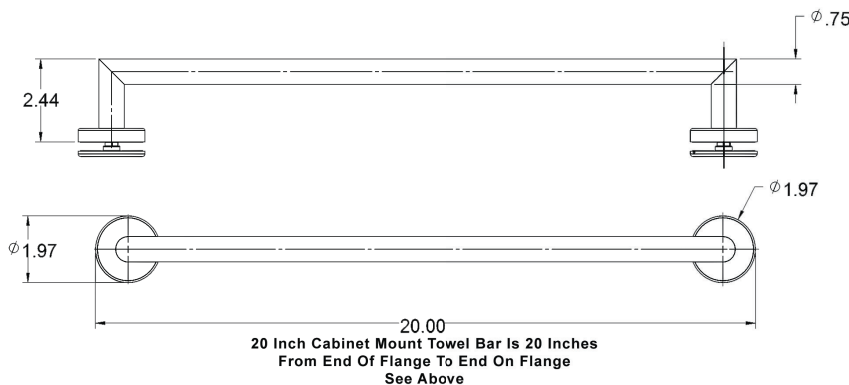
- 304 STAINLESS STEEL BAR
- SUPERIOR STRONG MOUNTING SYSTEM
- SILICONE WATERPROOFING GASKET
- WELDED MITERED CORNERS

HARDWARE INCLUDED

- 304 STAINLESS STEEL TOWEL BAR - 1
- ZINC DIE-CAST DECORATIVE MOUNT SCREW COVER - 2
- ZINC DIE-CAST COVER FLANGES - 2
- SILICON GRIP/SEAL WASHERS - 4
- TIGHTENING LEVER - 1

CABINET MOUNT TOWEL BAR

CABINET MOUNTED TOWEL BAR SIZE IS DETERMINED BY THE END OF FLANGE TO END OF FLANGE



INSTALLATION:

Insert decorative mount screw through .50in hole in cabinet. Thread into post and tighten firmly with provided tightening lever. (Do not over tighten)



Limited Warranty:

Preferred Bath Accessories Inc. warrants to the purchaser that the product will be free from defects in material and workmanship. If the product does not comply with this warranty, Preferred Bath Accessories Inc. will repair or replace the product or, at Preferred Bath Accessories Inc's. option, refund the purchase price. The limited warranty period is for the lifetime of the product. Limitations on the Warranty: The warranty does not cover, normal wear and tear, product abuse, neglect, improper installation or maintenance. Purchaser Requirements: If this product does not meet Preferred Bath Accessories Inc's. warranty, return the product (postage prepaid) to the place of purchase with proof of purchase and a written claim briefly describing the defect. You may be required to provide other information or evidence of the defect.