

213 PREFERRED DOUBLE RECESSED TOILET PAPER HOLDER

EXCEPTIONAL DESIGN

sales@preferredbathinc.com

www.preferredbathinc.com

(336) 904-6248



DOUBLE RECESSED TOILET PAPER HOLDER

- EASY TO CLEAN
- EASY TO INSTALL
- NO ASSEMBLY REQUIRED FULLY WELDED

PART NUMBERS

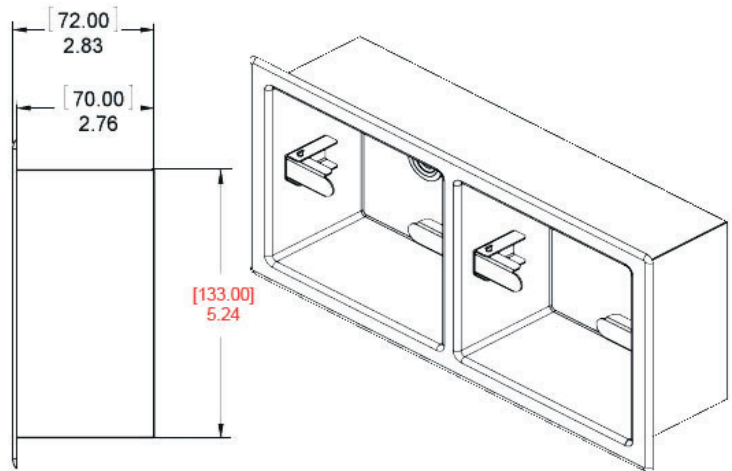
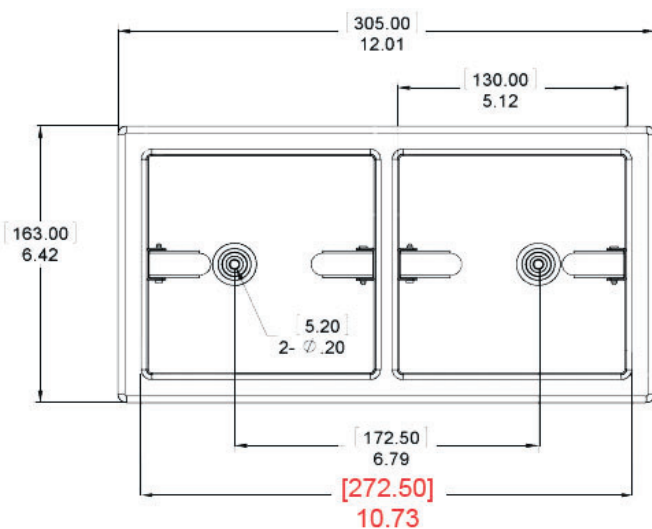
FINISH

213-BP-RD

BRIGHT POLISHED

HARDWARE INCLUDED

- STAINLESS STEEL DOUBLE RECESSED TOILET PAPER HOLDER - 1
- STAINLESS STEEL MOUNTING SCREWS - 2



INSTALLATION:

Cut hole per dimensions above in red (5.24 x 10.73). Insert into hole and attach to wood blocking.

WOOD BLOCKING IS THE PREFERRED METHOD OF INSTALLATION



Limited Warranty:

Preferred Bath Accessories Inc. warrants to the purchaser that the product will be free from defects in material and workmanship. If the product does not comply with this warranty, Preferred Bath Accessories Inc. will repair or replace the product or, at Preferred Bath Accessories Inc's. option, refund the purchase price. The limited warranty period is for the lifetime of the product. Limitations on the Warranty: The warranty does not cover, normal wear and tear, product abuse, neglect, improper installation or maintenance. Purchaser Requirements: If this product does not meet Preferred Bath Accessories Inc's. warranty, return the product (postage prepaid) to the place of purchase with proof of purchase and a written claim briefly describing the defect. You may be required to provide other information or evidence of the defect.