

# 308 PREFERRED CORNER SOAP TRAY

**EXCEPTIONAL DESIGN**

sales@preferredbathinc.com

www.preferredbathinc.com

(336) 904-6248



## CORNER SOAP TRAY

- EASY TO CLEAN
- EASY TO INSTALL
- NO ASSEMBLY REQUIRED FULLY WELDED

PART NUMBERS

FINISH

308-BP

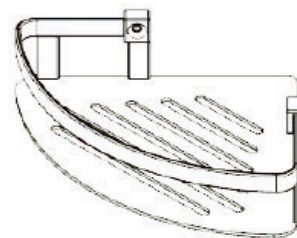
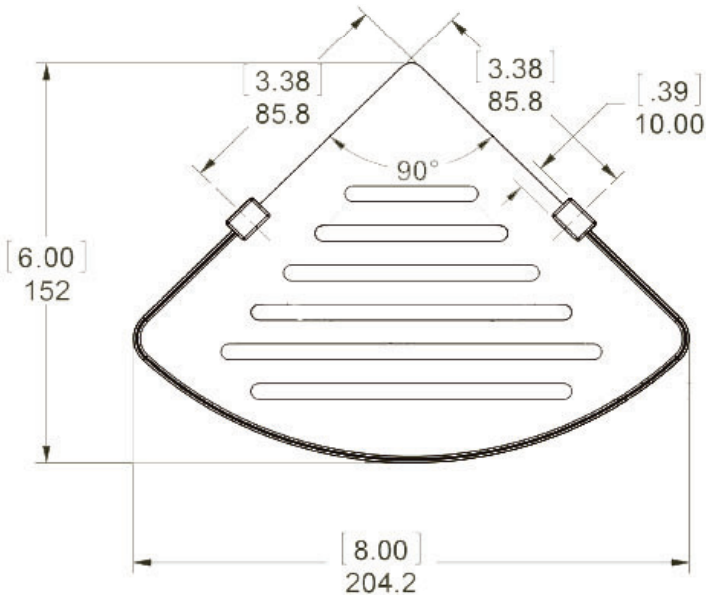
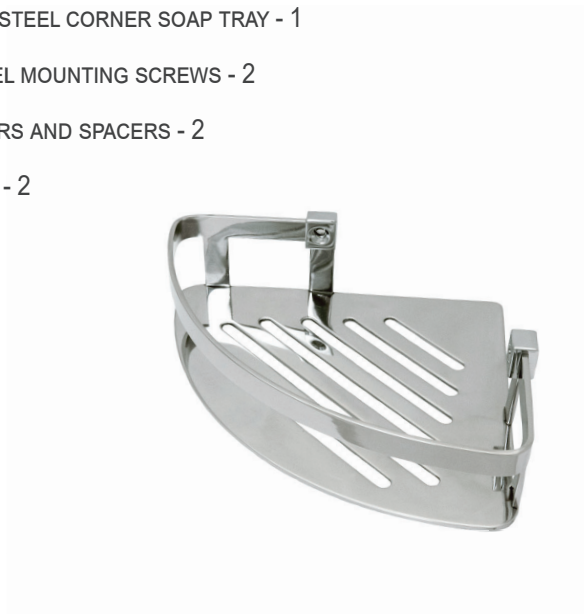
BRIGHT POLISHED

308-SS

SATIN STAINLESS

## HARDWARE INCLUDED

- 304 STAINLESS STEEL CORNER SOAP TRAY - 1
- STAINLESS STEEL MOUNTING SCREWS - 2
- SILICON WASHERS AND SPACERS - 2
- WALL ANCHORS - 2



## INSTALLATION:

Drill two holes to line up with the above measurements. Attach using the stainless steel wood screws. Silicon washers help secure the shelf to any type of surface material.

### WOOD BLOCKING IS THE PREFERRED METHOD OF INSTALLATION

Limited Warranty:

Preferred Bath Accessories Inc. warrants to the purchaser that the product will be free from defects in material and workmanship. If the product does not comply with this warranty, Preferred Bath Accessories Inc. will repair or replace the product or, at Preferred Bath Accessories Inc's. option, refund the purchase price. The limited warranty period is for the lifetime of the product. Limitations on the Warranty: The warranty does not cover, normal wear and tear, product abuse, neglect, improper installation or maintenance. Purchaser Requirements: If this product does not meet Preferred Bath Accessories Inc's. warranty, return the product (postage prepaid) to the place of purchase with proof of purchase and a written claim briefly describing the defect. You may be required to provide other information or evidence of the defect.