

165 PREFERRED FOOT REST

EXCEPTIONAL DESIGN

sales@preferredbathinc.com

www.preferredbathinc.com

(336) 904-6248



FOOT REST

- EASY TO CLEAN EASY TO INSTALL
- NO ASSEMBLY REQUIRED
- STAINLESS STEEL COMPLETELY WELDED NO SET SCREWS

PART NUMBERS

FINISH

165-BP-FR

BRIGHT POLISHED

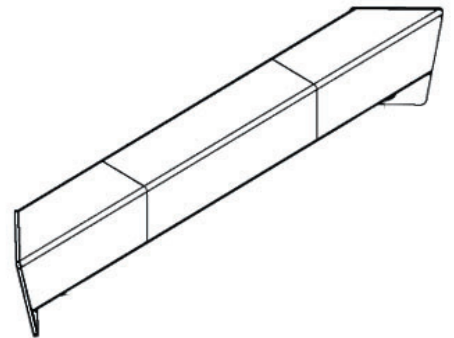
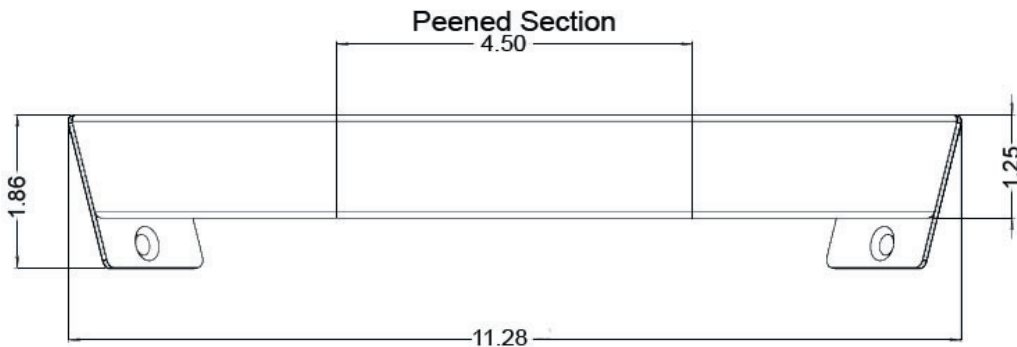
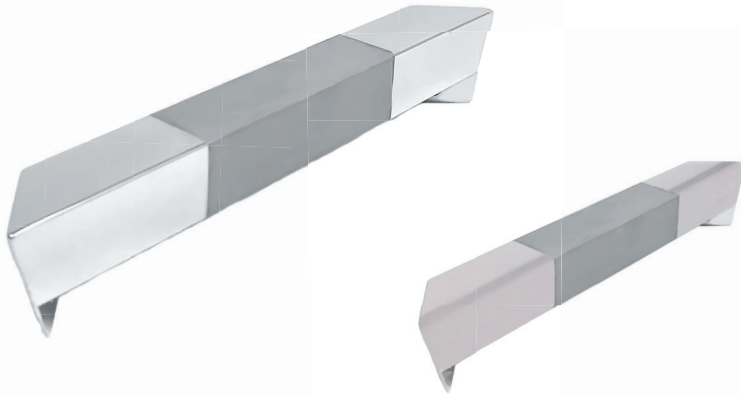
165-BN-FR

BRUSHED NICKEL

HARDWARE INCLUDED

- 304 STAINLESS STEEL FOOT REST - 1
- STAINLESS STEEL MOUNTING SCREWS - 2

WALL MOUNTED



INSTALLATION:

Attach to mounting surface using the 4 provided stainless steel mounting screws.

WOOD BLOCKING IS THE PREFERRED METHOD OF INSTALLATION



Limited Warranty:

Preferred Bath Accessories Inc. warrants to the purchaser that the product will be free from defects in material and workmanship. If the product does not comply with this warranty, Preferred Bath Accessories Inc. will repair or replace the product or, at Preferred Bath Accessories Inc's. option, refund the purchase price. The limited warranty period is for the lifetime of the product. Limitations on the Warranty: The warranty does not cover, normal wear and tear, product abuse, neglect, improper installation or maintenance. Purchaser Requirements: If this product does not meet Preferred Bath Accessories Inc's. warranty, return the product (postage prepaid) to the place of purchase with proof of purchase and a written claim briefly describing the defect. You may be required to provide other information or evidence of the defect.