

2000 ANELLO COLLECTION DOUBLE TOILET PAPER HOLDER

MODERN TRANSITIONAL

sales@preferredbathinc.com

www.preferredbathinc.com

(336) 904-6248



DOUBLE TOILET PAPER HOLDER

- 304 STAINLESS STEEL BAR
- MODERN STYLING SIMPLY FUNCTIONAL
- SUPERIOR STRONG MOUNTING SYSTEM
- TWO SCREWS INCLUDED FOR A STRONG SECURE INSTALLATION

PART NUMBERS

FINISH

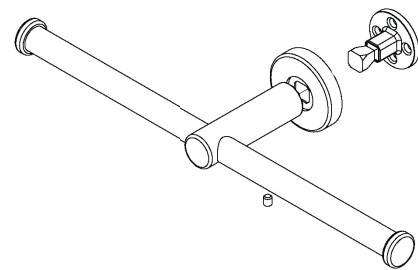
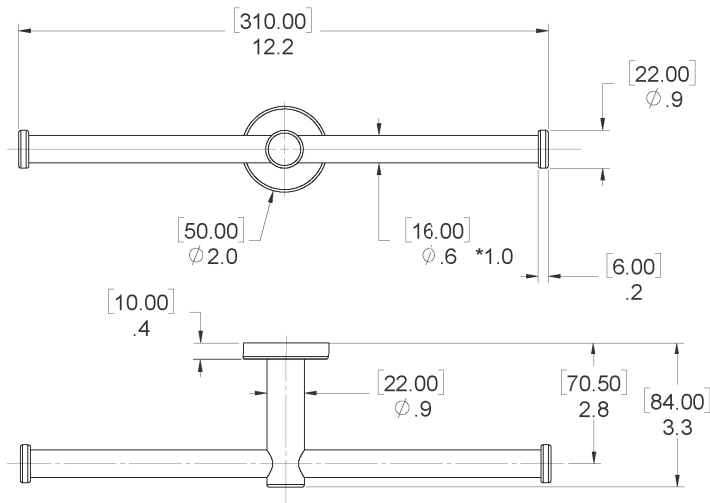
2008-PC-FMDH

POLISHED CHROME

HARDWARE INCLUDED

- 304 STAINLESS STEEL TOILET PAPER BAR - 1
- ZINC DIE-CAST POST AND FLANGE - 1
- ZINC DIE-CAST CAPS - 2
- ALUMINUM WALL MOUNTING BRACKETS - 1
- STAINLESS STEEL MOUNTING HARDWARE AND WALL ANCHORS INCLUDED

WALL MOUNTED



INSTALLATION:

Attach mounting bracket to wall with mounting screws. Slide flange and post over bracket and tighten set screw. Our mounting brackets are designed with horizontal and vertical adjustability to insure a proper level fit.

WOOD BLOCKING IS THE PREFERRED METHOD OF INSTALLATION

Limited Warranty:

Preferred Bath Accessories Inc. warrants to the purchaser that the product will be free from defects in material and workmanship. If the product does not comply with this warranty, Preferred Bath Accessories Inc. will repair or replace the product or, at Preferred Bath Accessories Inc's. option, refund the purchase price. The limited warranty period is for the lifetime of the product. Limitations on the Warranty: The warranty does not cover, normal wear and tear, product abuse, neglect, improper installation or maintenance. Purchaser Requirements: If this product does not meet Preferred Bath Accessories Inc's. warranty, return the product (postage prepaid) to the place of purchase with proof of purchase and a written claim briefly describing the defect. You may be required to provide other information or evidence of the defect.