

# 6000 BALANCE COLLECTION DECORATIVE GRAB BARS

**METICULOUSLY DESIGNED WITH THE USER IN MIND**

sales@preferredbathinc.com

www.preferredbathinc.com

(336) 904-6248



## 100% STAINLESS STEEL CONSTRUCTION

- 304 STAINLESS STEEL BAR
- SOLID 304 STAINLESS STEEL DECORATIVE COVER FLANGES
- ADJUSTABLE MULTI-SCREW 304 STAINLESS STEEL MOUNTING BRACKETS
- PREMIUM STAINLESS STEEL MOUNTING HARDWARE

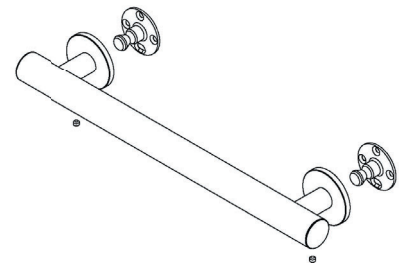
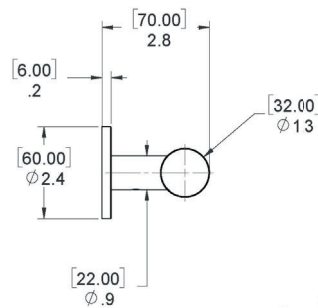
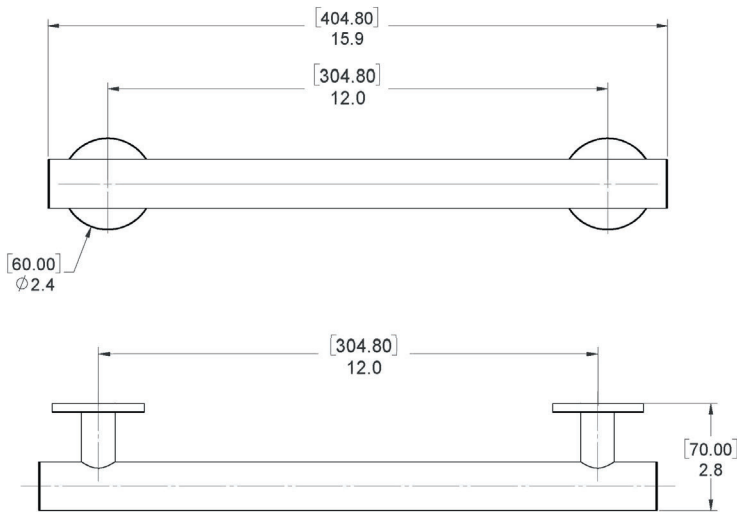
## POLISHED TO PERFECTION

- STURDY SOLID CONSTRUCTION
- MEETS AND EXCEEDS ANSI REQUIREMENTS

## EXCEEDS ADA & ANSI REQUIREMENTS

PART NUMBERS FINISH

| PART NUMBERS | FINISH          |
|--------------|-----------------|
| 6012-BP      | BRIGHT POLISHED |
| 6016-BP      | BRIGHT POLISHED |
| 6018-BP      | BRIGHT POLISHED |
| 6024-BP      | BRIGHT POLISHED |
| 6030-BP      | BRIGHT POLISHED |
| 6036-BP      | BRIGHT POLISHED |
| 6042-BP      | BRIGHT POLISHED |
| 6048-BP      | BRIGHT POLISHED |
| 6012-SS      | SATIN STAINLESS |
| 6016-SS      | SATIN STAINLESS |
| 6018-SS      | SATIN STAINLESS |
| 6024-SS      | SATIN STAINLESS |
| 6030-SS      | SATIN STAINLESS |
| 6036-SS      | SATIN STAINLESS |
| 6042-SS      | SATIN STAINLESS |
| 6048-SS      | SATIN STAINLESS |



## INSTALLATION:

Attach mounting bracket to the wall with the provided screws. Slide flange and grab bar over the wall bracket and secure with provided stainless steel set screws. This grab bar has been designed to be secured to the wall with at least two screws per mounting bracket giving you the strongest squared decorative grab bar on the market. It also has .20" of adjust-ability for an easy installation.

## WOOD BLOCKING REQUIRED FOR COMMERCIAL APPLICATION

Preferred Bath Accessories Inc. warrants to the purchaser that the product will be free from defects in material and workmanship. If the product does not comply with this warranty, Preferred Bath Accessories Inc. will repair or replace the product or, at Preferred Bath Accessories Inc's. option, refund the purchase price. The limited warranty period is for the lifetime of the product. Limitations on the Warranty: The warranty does not cover, normal wear and tear, product abuse, neglect, improper installation or maintenance. Purchaser Requirements: If this product does not meet Preferred Bath Accessories Inc's. warranty, return the product (postage prepaid) to the place of purchase with proof of purchase and a written claim briefly describing the defect. You may be required to provide other information or evidence of the defect.

Limited Warranty:

